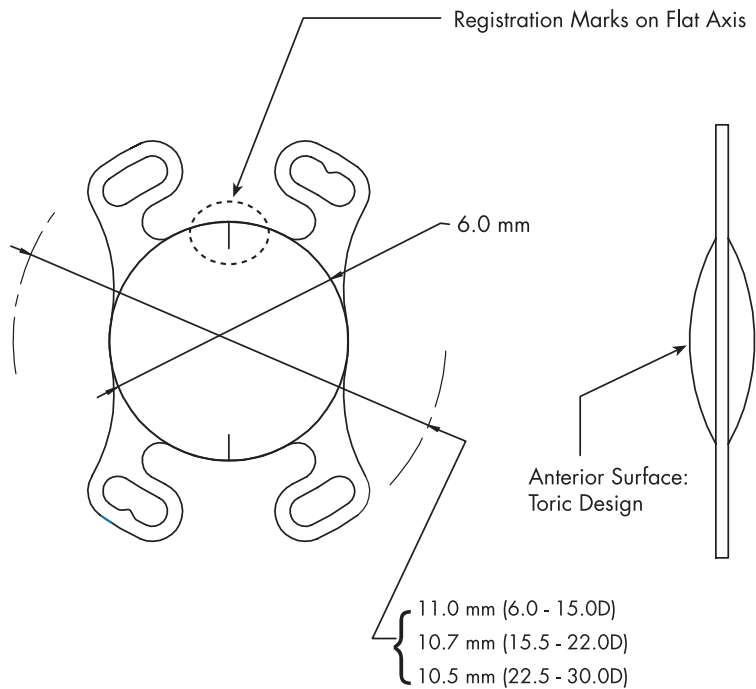


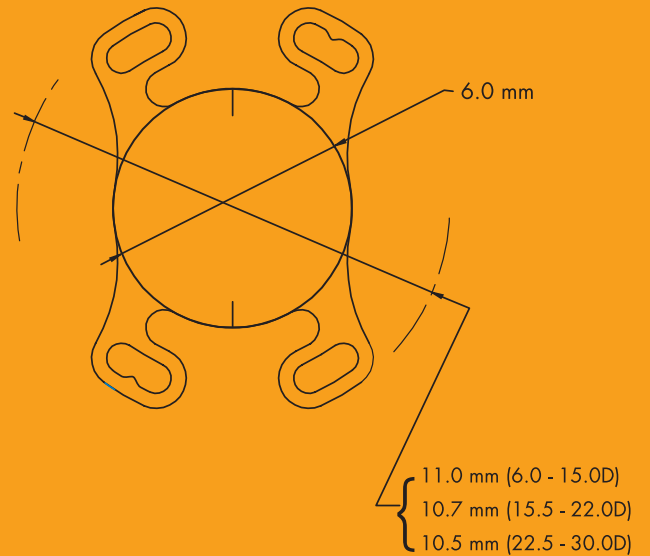
Tek-Tor™ Model 820

Foldable One-Piece Toric Hydrophilic IOL

Blue Light Filter



Tek-Tor™ Model 820Y



Indications: Posterior chamber/cataract surgery

Additional Specifications

Not available in the United States

Optical hydrophilic acrylic with UV blocker (26% water content)

Diopter range (Sphere) = 6.0D to 30.0D

6.0D to 10.0D | x | 1.0D steps

10.0D to 30.0D | x | 0.5D steps

Cylinder Range:

A1: +1.5D

A2: +2.25D

A3: +3.0D

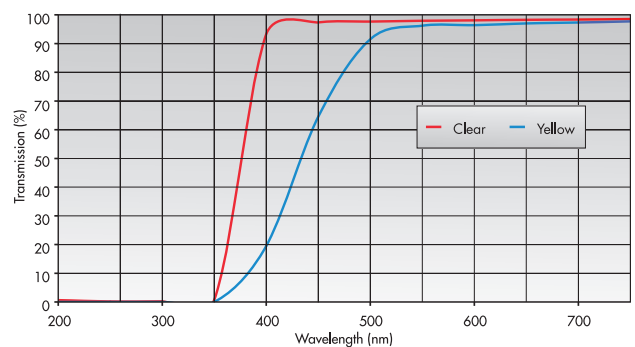
Refractive Index = 1.457 @ 35°C (fully hydrated)

Light transmission > 95%

Biconvex design: -Toric Anterior Surface
-Spherical Posterior Surface

Square optic edge

Incision size - 1.8 mm (MICS)



TEKIA

17 Hammond | Suite 414 | Irvine, California 92618 | U.S.A. | Tel: +1.949.699.1300 | Fax: +1.949.699.1302 | www.tekia.com

P/N: 1261 Rev. B