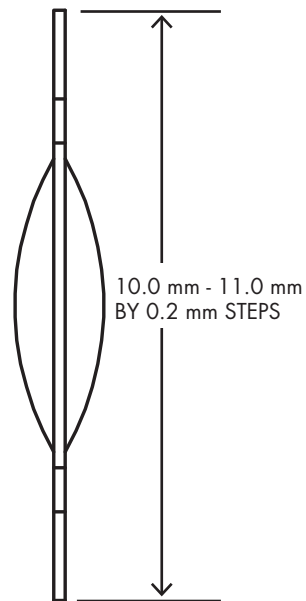
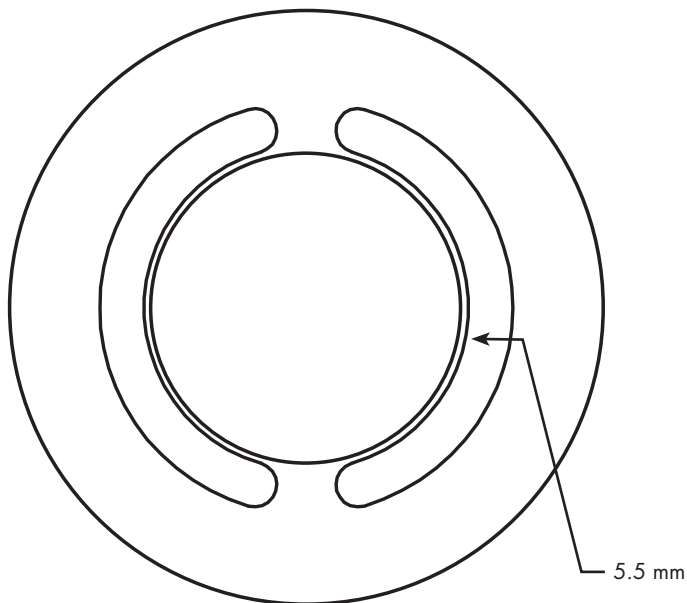


# Tek-Clear™ ACCOMMODATIVE IOL

## Model 500



**Indications: Cataract and refractive lens exchange**

U.S. Patent No.: US 7,435,258 B2

Not available in the United States

### Additional Specifications

**Material: Hydrophilic acrylic with UV blocker (26% water content)**

**Diopters = 17.0 to 30.0 x 0.5**

**Refractive Index = 1.457 @ 35° C (Fully hydrated)**

**Light transmission > 95%**

**Full symmetrical optic design**

**Square edge optic and haptic**

**5.5 mm optic**

**10.0 mm to 11.0 mm full bag haptic by 0.2 mm steps**

**Posterior chamber/capsular bag placement**

**Incision size - Sub 2.8 mm to 3.0 mm**

CERTIFIED  
ISO 13485



# TEKIA

17 Hammond | Suite 414 | Irvine, California 92618 | U.S.A. | Tel: +1.949.699.1300 | Fax: +1.949.699.1302 | [www.tekia.com](http://www.tekia.com)

ECN #: 861 P/N: 1144 Rev. E