

# TEKIA

## PRODUCT GUIDE

Cataract & Refractive  
**INTRAOCULAR LENSES**



# TEKIA

PRODUCT GUIDE

Cataract & Refractive  
INTRAOCULAR LENSES

# TEKIA

17 Hammond  
Suite 414  
Irvine, California 92618  
USA  
+1.949.699.1300 tel  
+1.949.699.1302 fax  
sales@tekia.com  
www.tekia.com

Visit our website for the latest product information and updates including:

TEKIA Toric iPad® Calculator  
Surgeon Instructions  
Optimized IOL Constants  
Quality System & CE Mark Certificates  
Individual Product Data Sheets  
Product Brochures

www.tekia.com

TEKIA intraocular lenses are manufactured in the United States

TEKIA intraocular lenses are not FDA approved for sale in the United States

## CONTENTS

### FEATURED PRODUCTS

Tek-Lens™ 3 Model 900 ..... 4  
Hydrophobic Acrylic IOL

Tek-Tor™ Model 820 (MICS) ..... 5  
Toric Hydrophilic IOL

### 1-PIECE HYDROPHILIC ACRYLIC IOLs (MICS SERIES)

Tek-Lens™ II Model 820 (MICS) ..... 6

Tek-Tor™ Model 820 (MICS) ..... 6

Tek-Lens™ II Model 860 (MICS) ..... 6

### 1-PIECE HYDROPHILIC ACRYLIC IOLs (800 SERIES)

Tek-Lens™ II Model 830 ..... 7

Tek-Lens™ II Model 851 ..... 7

Tek-Lens™ II Model 811 ..... 8

Tek-Lens™ II Model 812 ..... 8

Tek-Lens™ II Model 870 ..... 8

Tek-Lens™ II Model 872 ..... 9

Tek-Lens™ II Model 873 ..... 9

### 1-PIECE HYDROPHILIC ACRYLIC IOLs (800 SERIES)

(Spherical biconvex designs)

Tek-Lens™ II Model 811S ..... 10

Tek-Lens™ II Model 820S ..... 10

Tek-Lens™ II Model 872S ..... 10

### 3-PIECE HYDROPHILIC ACRYLIC IOLs (600 SERIES)

Tek-Lens™ II Model 611 ..... 11

Tek-Lens™ II Model 612 ..... 11

Tek-Lens™ II Model 613 ..... 11

Tek-Lens™ II Model 616 ..... 12

Tek-Lens™ II Model 617 ..... 12

Tek-Lens™ II Model 618 ..... 12

### SPECIAL ORDER IOLs

Tek-Clear™ Accommodative IOL Model 500 ..... 13

# TEKIA



# IOLO

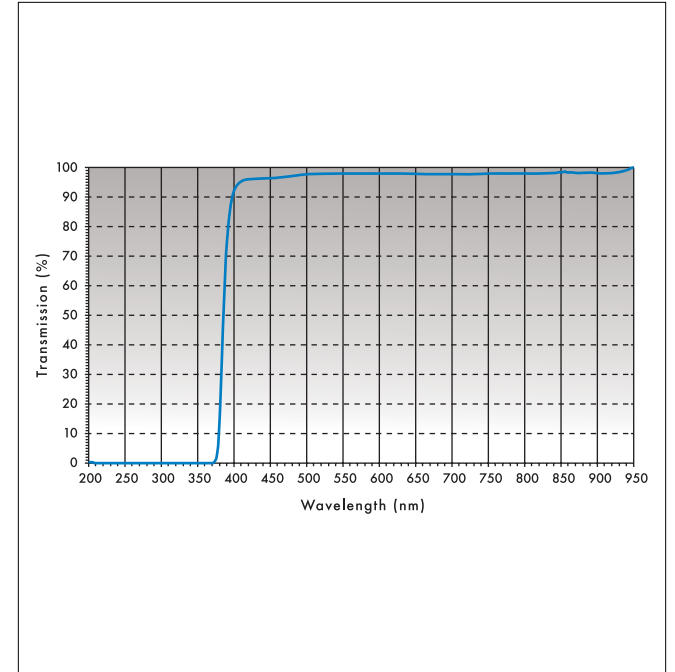
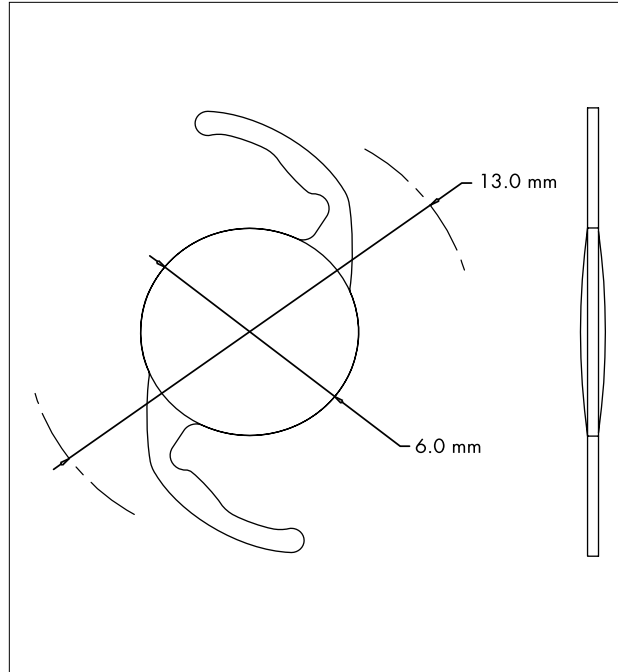
Indications: Posterior Chamber/Cataract Surgery

# HYDROPHOBIC ACRYLIC IOL

Tek-Lens™ III Model 900

## Tek-Lens<sup>™</sup>3

Hydrophobic Acrylic  
Intraocular Lens



Additional Specifications

Optical hydrophobic acrylic with UV blocker

Diopter range: 10.0 to 30.0 @ 0.5 increments

Refractive Index: 1.555 @ 35°C

Light transmission (380 – 800 nm): > 96%

UV cut-off < 10%: 379 nm

UV transmission (300 – 380 nm): 0.5%

Biconvex aspheric design

360° square optic edge

Incision size: 2.2 mm

	Ultrasound A-Scan	Optical Biometry
A-Constant		
SRK/T Formula	117.8	118.8
SRK/II Formula	118.1	119.1

CERTIFIED  
ISO 13485



TEKIA intraocular lenses are  
manufactured in the  
United States

# TEKIA

Indications: Posterior Chamber/Cataract Surgery

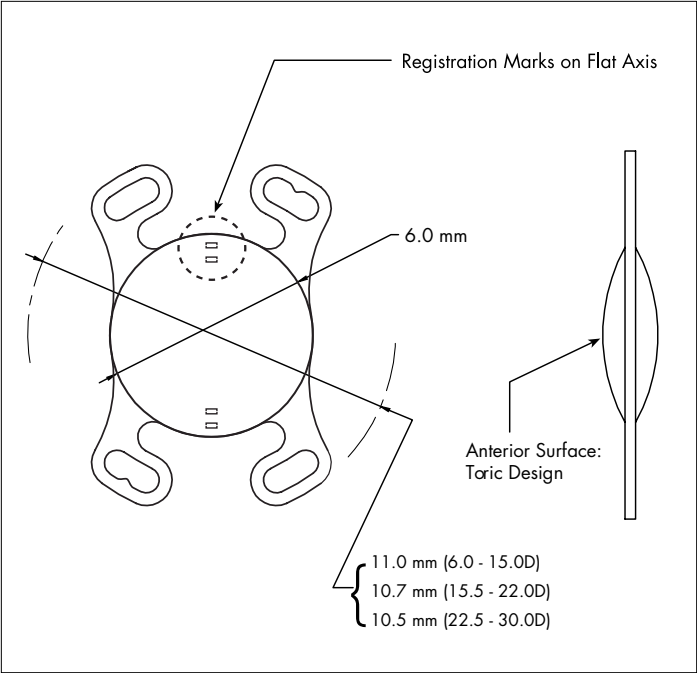
# TORIC HYDROPHILIC ACRYLIC IOL MICS

Tek-Tor™ Model 820

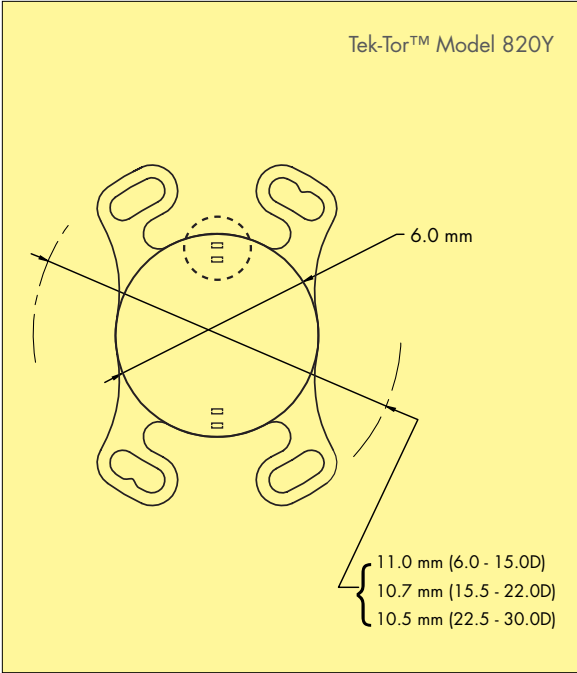
## Tek-Tor™ Hydrophilic Acrylic Intraocular Lens



### Clear



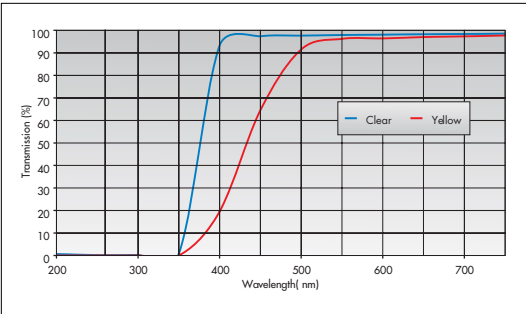
### Blue Light Filter



Additional Specifications

Optical hydrophilic acrylic with UV blocker (26% water content)	
Diopter range (Sphere) = 6.0 to 30.0	Cylinder Range:
6.0 to 10.0 x 1.0 increments	A1: +1.5D
10.0 to 30.0 x 0.5 increments	A2: +2.25D
	A3: +3.0D
Refractive Index = 1.457 @ 35°C (fully hydrated)	
Light transmission > 95%	

Biconvex design:
– Toric anterior surface
– Spherical posterior surface
Square optic edge
Incision size = 1.8 mm <b>(MICS)</b>



CERTIFIED  
ISO 13485

TEKIA intraocular lenses are  
manufactured in the  
United States

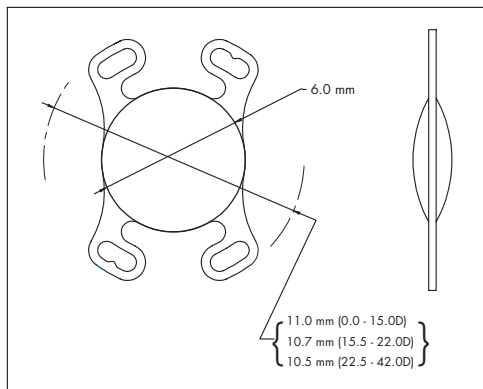
# TEKIA

Indications: Posterior Chamber/Cataract Surgery

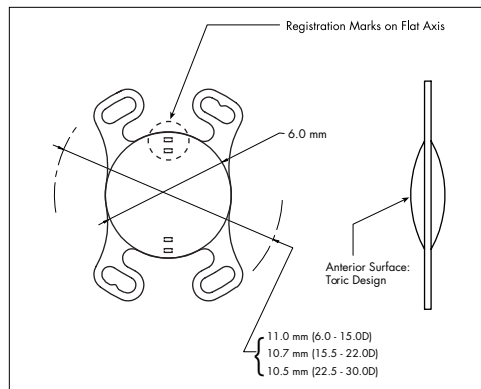
# 1-PIECE HYDROPHILIC ACRYLIC IOLs

Clear

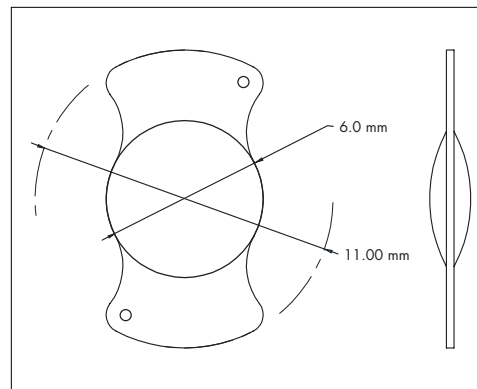
Tek-Lens™ II Model 820 (MICS)



Tek-Tor™ Model 820 (MICS)

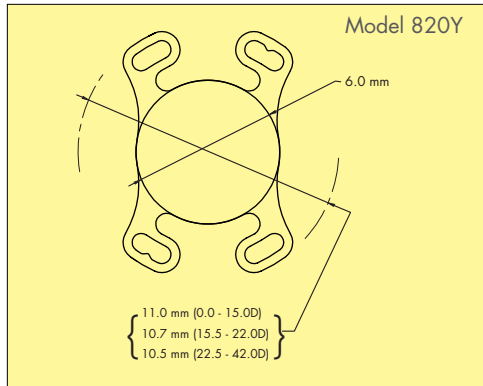


Tek-Lens™ II Model 860 (MICS)

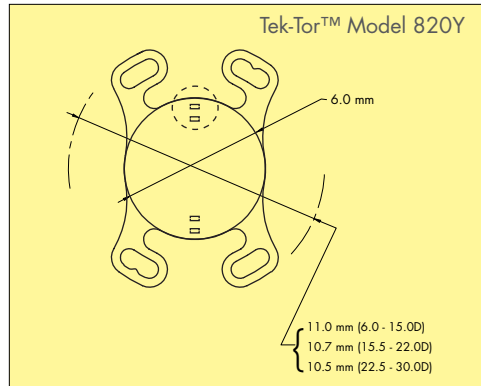


Blue Light Filter

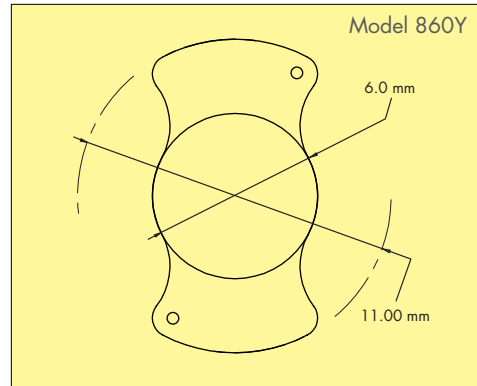
Model 820Y



Tek-Tor™ Model 820Y



Model 860Y



MICS

Additional Specifications

Optical hydrophilic acrylic with UV blocker (26% water content)

Diopter range = 0.0 to 42.0

- 0.0 to 10.0 x 1.0 increments
- 10.0 to 30.0 x 0.5 increments
- 30.0 to 42.0 x 1.0 increments

Refractive Index = 1.457 @ 35°C (fully hydrated)

Light transmission > 95%

Equal biconvex aspheric design

Square optic edge

Incision size = 1.8 mm

See Page 5 for additional specification information on the Tek-Tor™ Model 820 (MICS)

Optical hydrophilic acrylic with UV blocker (26% water content)

Diopter range = 0.0 to 42.0

- 0.0 to 10.0 x 1.0 increments
- 10.0 to 30.0 x 0.5 increments
- 30.0 to 42.0 x 1.0 increments

Refractive Index = 1.457 @ 35°C (fully hydrated)

Light transmission > 95%

Equal biconvex aspheric design

Square optic edge

Incision size = 1.8 mm

ALL Single Piece IOLs are aspheric optic design

CERTIFIED ISO 13485



TEKIA intraocular lenses are manufactured in the United States

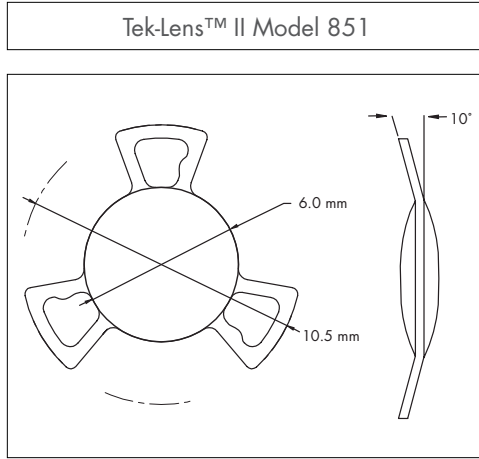
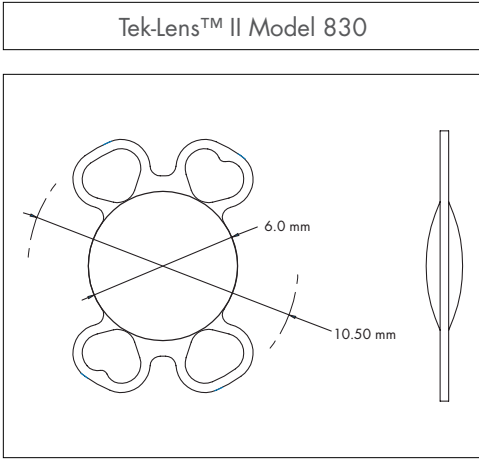
TEKIA



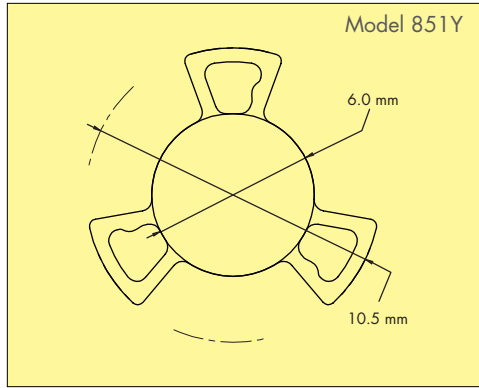
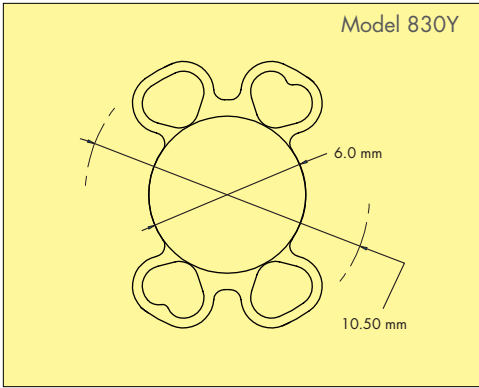
Indications: Posterior Chamber/Cataract Surgery

# 1-PIECE HYDROPHILIC ACRYLIC IOLs

Clear



Blue Light Filter



Additional Specifications

Optical hydrophilic acrylic with UV blocker (26% water content)

Diopter range = 0.0 to 42.0

0.0 to 10.0 x 1.0 increments  
 10.0 to 30.0 x 0.5 increments  
 30.0 to 42.0 x 1.0 increments

Refractive Index = 1.457 @ 35°C (fully hydrated)

Light transmission > 95%

Equal biconvex aspheric design

Square optic edge

Incision size = 2.4 mm

Optical hydrophilic acrylic with UV blocker (26% water content)

Diopter range = 0.0 to 42.0

0.0 to 10.0 x 1.0 increments  
 10.0 to 30.0 x 0.5 increments  
 30.0 to 42.0 x 1.0 increments

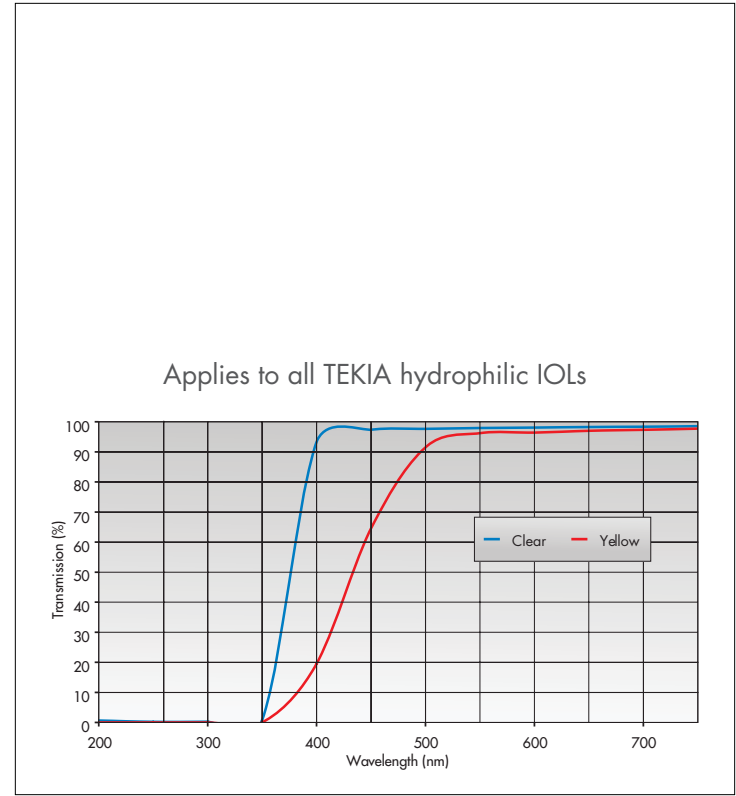
Refractive Index = 1.457 @ 35°C (fully hydrated)

Light transmission > 95%

Equal biconvex aspheric design

Square optic edge

Incision size = 2.4 mm



ALL Single Piece IOLs are aspheric optic design

CERTIFIED ISO 13485

TEKIA intraocular lenses are manufactured in the United States

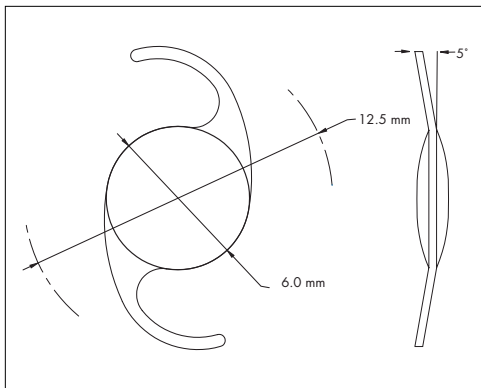
# TEKIA

Indications: Posterior Chamber/Cataract Surgery

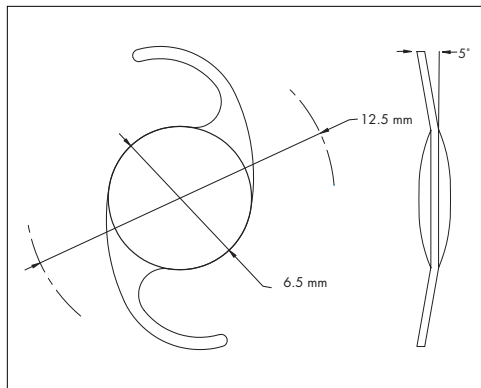
# 1-PIECE HYDROPHILIC ACRYLIC IOLs

Clear

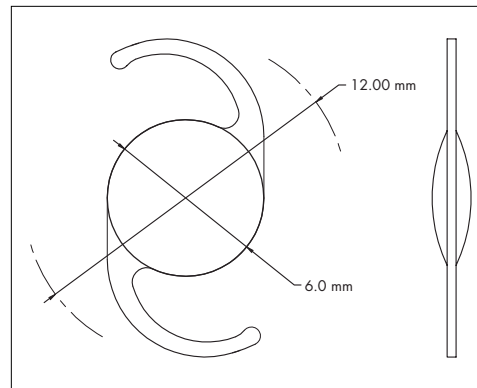
Tek-Lens™ II Model 811



Tek-Lens™ II Model 812

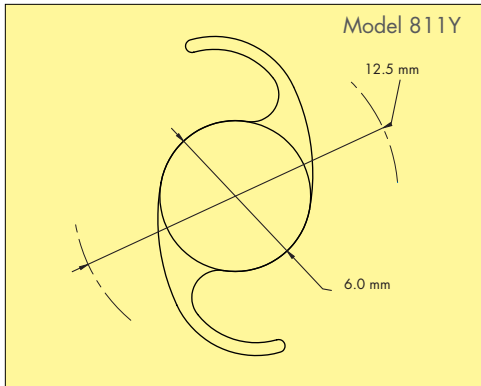


Tek-Lens™ II Model 870

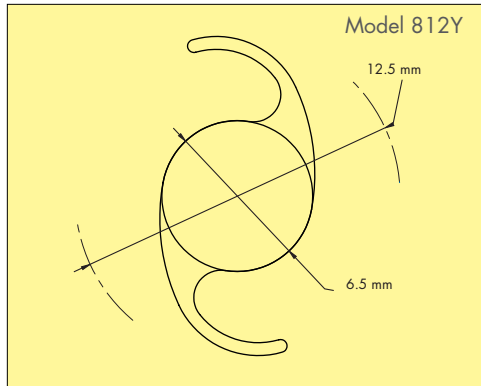


Blue Light Filter

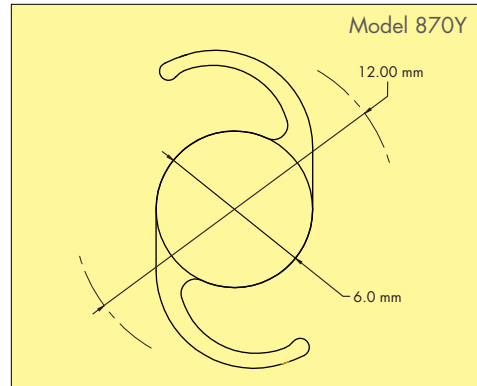
Model 811Y



Model 812Y



Model 870Y



Additional Specifications

Optical hydrophilic acrylic with UV blocker (26% water content)

Diopter range = 0.0 to 42.0

- 0.0 to 10.0 x 1.0 increments
- 10.0 to 30.0 x 0.5 increments
- 30.0 to 42.0 x 1.0 increments

Refractive Index = 1.457 @ 35°C (fully hydrated)

Light transmission > 95%

Equal biconvex aspheric design

Square optic edge

Incision size = 2.4 mm

Optical hydrophilic acrylic with UV blocker (26% water content)

Diopter range = 0.0 to 42.0

- 0.0 to 10.0 x 1.0 increments
- 10.0 to 30.0 x 0.5 increments
- 30.0 to 42.0 x 1.0 increments

Refractive Index = 1.457 @ 35°C (fully hydrated)

Light transmission > 95%

Equal biconvex aspheric design

Square optic edge

Incision size = 2.4 mm

Optical hydrophilic acrylic with UV blocker (26% water content)

Diopter range = 0.0 to 42.0

- 0.0 to 10.0 x 1.0 increments
- 10.0 to 30.0 x 0.5 increments
- 30.0 to 42.0 x 1.0 increments

Refractive Index = 1.457 @ 35°C (fully hydrated)

Light transmission > 95%

Equal biconvex aspheric design

Square optic edge

Incision size = 2.4 mm

ALL Single Piece IOLs are aspheric optic design



TEKIA intraocular lenses are manufactured in the United States

# TEKIA

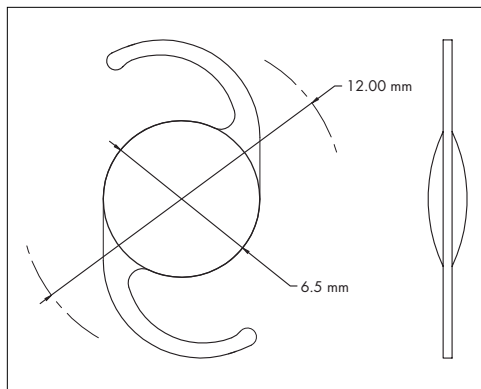
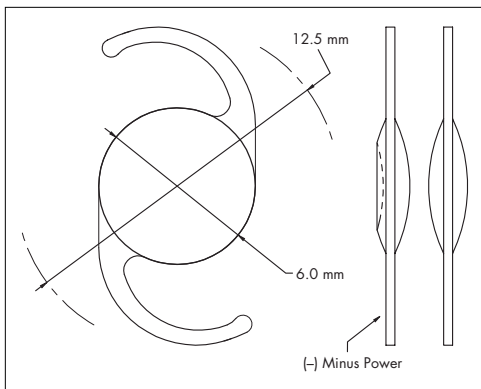
Indications: Posterior Chamber/Cataract Surgery

# 1-PIECE HYDROPHILIC ACRYLIC IOLs

Clear

Tek-Lens™ II Model 872

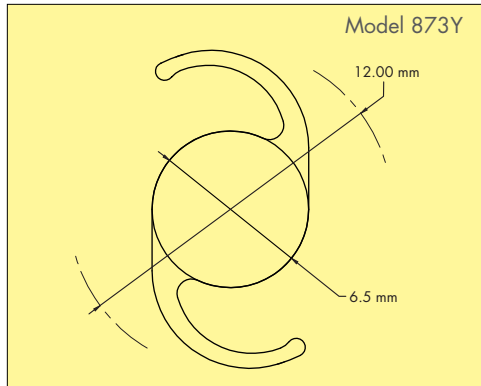
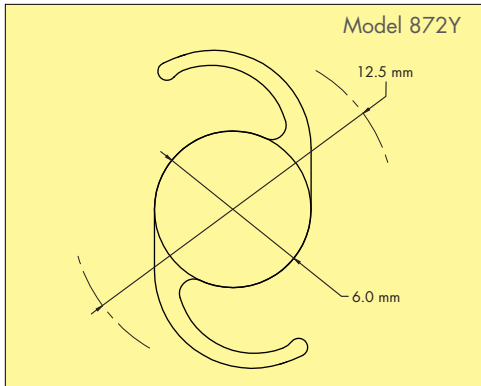
Tek-Lens™ II Model 873



Blue Light Filter

Model 872Y

Model 873Y



Additional Specifications

Optical hydrophilic acrylic with UV blocker (26% water content)

Optical hydrophilic acrylic with UV blocker (26% water content)

Diopter range = (-) Minus 10.0 to 42.0

Diopter range = 0.0 to 42.0

- 10.0 to 10.0 x 1.0 increments
- 10.0 to 30.0 x 0.5 increments
- 30.0 to 42.0 x 1.0 increments

- 0.0 to 10.0 x 1.0 increments
- 10.0 to 30.0 x 0.5 increments
- 30.0 to 42.0 x 1.0 increments

Refractive Index = 1.457 @ 35°C (fully hydrated)

Refractive Index = 1.457 @ 35°C (fully hydrated)

Light transmission > 95%

Light transmission > 95%

Equal biconvex aspheric design

Equal biconvex aspheric design

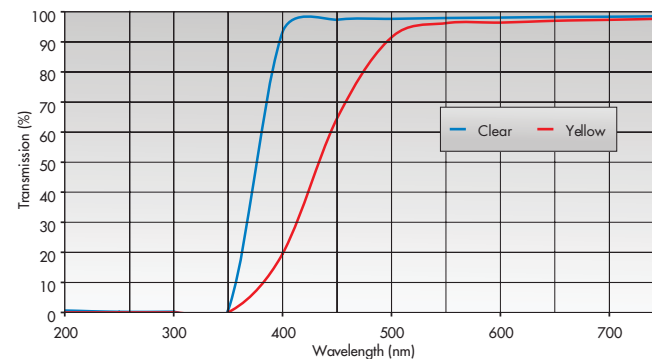
Square optic edge

Square optic edge

Incision size = 2.4 mm

Incision size = 2.4 mm

Applies to all TEKIA hydrophilic IOLs



ALL Single Piece IOLs are aspheric optic design

CERTIFIED ISO 13485



TEKIA intraocular lenses are manufactured in the United States

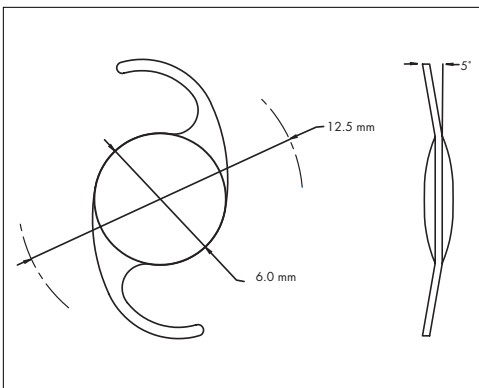
# TEKIA

Indications: Posterior Chamber/Cataract Surgery

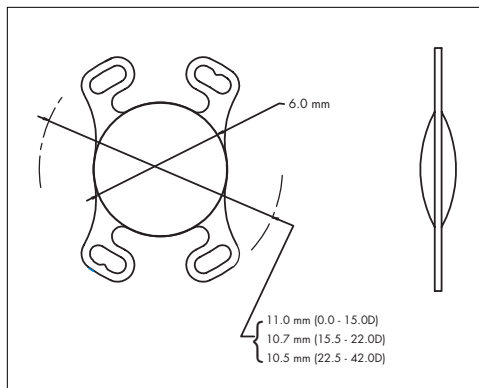
# 1-PIECE HYDROPHILIC ACRYLIC IOLs

Clear

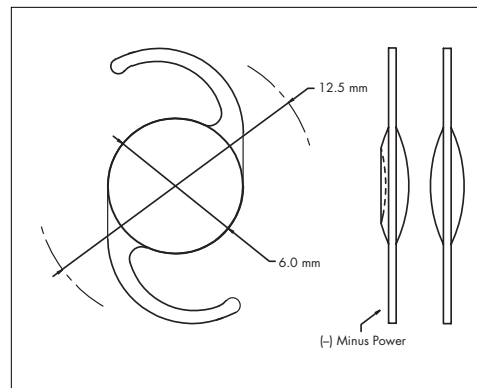
Tek-Lens™ II Model 811S



Tek-Lens™ II Model 820S

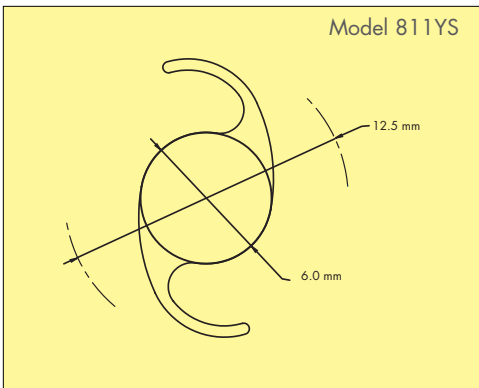


Tek-Lens™ II Model 872S

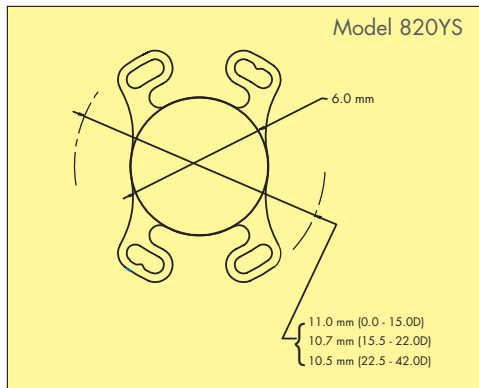


Blue Light Filter

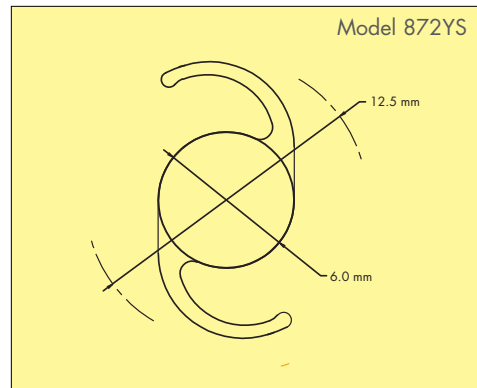
Model 811YS



Model 820YS



Model 872YS



Additional Specifications

Optical hydrophilic acrylic with UV blocker (26% water content)

Diopter range = 0.0 to 42.0

- 0.0 to 10.0 x 1.0 increments
- 10.0 to 30.0 x 0.5 increments
- 30.0 to 42.0 x 1.0 increments

Refractive Index = 1.457 @ 35°C (fully hydrated)

Light transmission > 95%

Spherical biconvex design

Square optic edge

Incision size = 2.4 mm

Optical hydrophilic acrylic with UV blocker (26% water content)

Diopter range = 0.0 to 42.0

- 0.0 to 10.0 x 1.0 increments
- 10.0 to 30.0 x 0.5 increments
- 30.0 to 42.0 x 1.0 increments

Refractive Index = 1.457 @ 35°C (fully hydrated)

Light transmission > 95%

Spherical biconvex design

Square optic edge

Incision size = 1.8 mm

Optical hydrophilic acrylic with UV blocker (26% water content)

Diopter range = (-) Minus 10.0 to 42.0

- 10.0 to 10.0 x 1.0 increments
- 10.0 to 30.0 x 0.5 increments
- 30.0 to 42.0 x 1.0 increments

Refractive Index = 1.457 @ 35°C (fully hydrated)

Light transmission > 95%

Spherical biconvex design

Square optic edge

Incision size = 2.4 mm

Spherical biconvex design

Spherical biconvex optic design

CERTIFIED ISO 13485



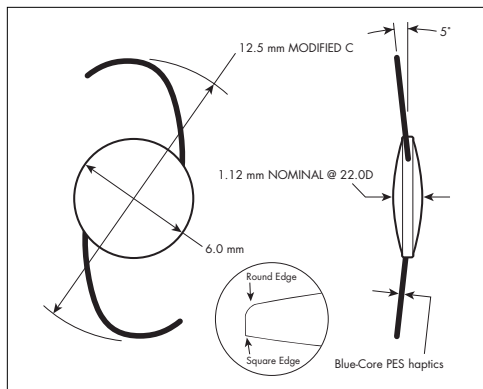
TEKIA intraocular lenses are manufactured in the United States

**TEKIA**

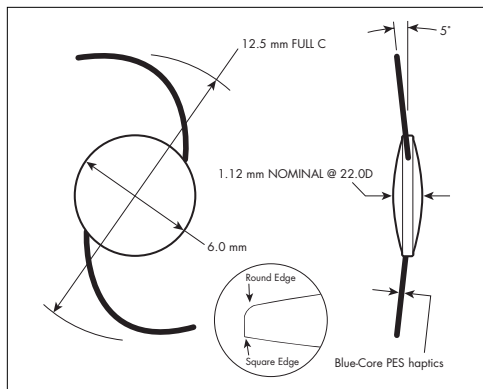
### 3-PIECE HYDROPHILIC ACRYLIC IOLs

Clear

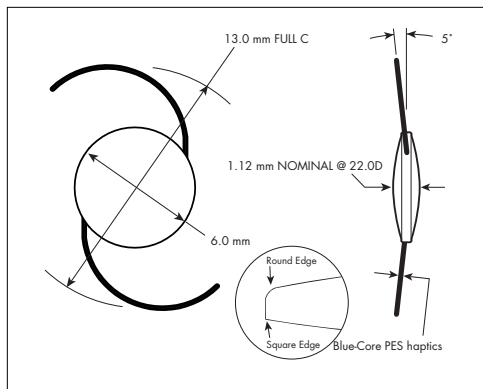
Tek-Lens™ II Model 611



Tek-Lens™ II Model 612

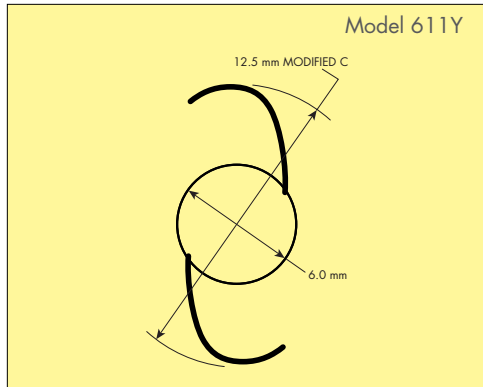


Tek-Lens™ II Model 613

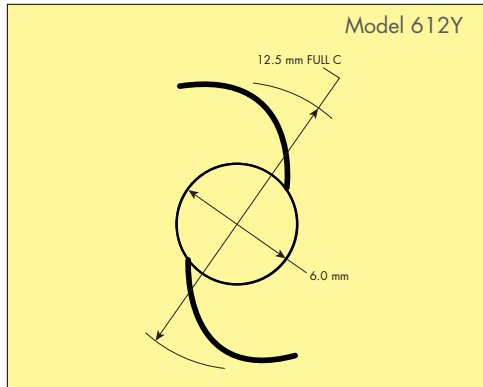


Blue Light Filter

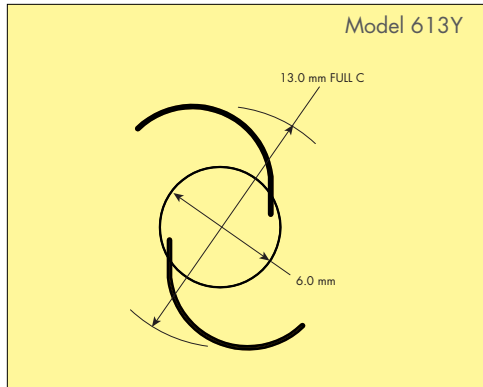
Model 611Y



Model 612Y



Model 613Y



Additional Specifications

Optical hydrophilic acrylic with UV blocker (26% water content)

Diopter range = 0.0 to 35.0

- 0.0 to 10.0 x 1.0 increments
- 10.0 to 30.0 x 0.5 increments
- 31.0 to 35.0 x 1.0 increments

Refractive Index = 1.457 @ 35°C (fully hydrated)

Light transmission > 95%

Equal biconvex design

Round-square optic edge

Incision size = 2.8 mm

Optical hydrophilic acrylic with UV blocker (26% water content)

Diopter range = 0.0 to 35.0

- 0.0 to 10.0 x 1.0 increments
- 10.0 to 30.0 x 0.5 increments
- 31.0 to 35.0 x 1.0 increments

Refractive Index = 1.457 @ 35°C (fully hydrated)

Light transmission > 95%

Equal biconvex design

Round-square optic edge

Incision size = 2.8 mm

Optical hydrophilic acrylic with UV blocker (26% water content)

Diopter range = 0.0 to 35.0

- 0.0 to 10.0 x 1.0 increments
- 10.0 to 30.0 x 0.5 increments
- 31.0 to 35.0 x 1.0 increments

Refractive Index = 1.457 @ 35°C (fully hydrated)

Light transmission > 95%

Equal biconvex design

Round-square optic edge

Incision size = 2.8 mm

CERTIFIED ISO 13485

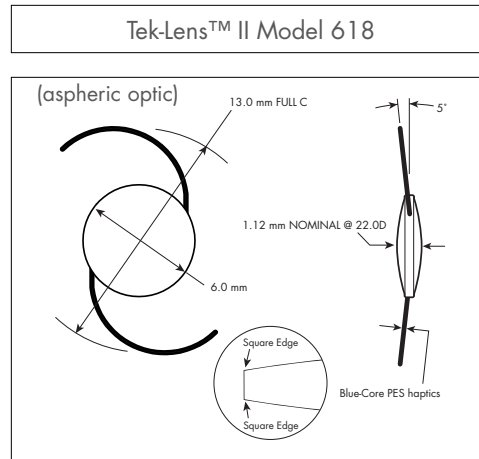
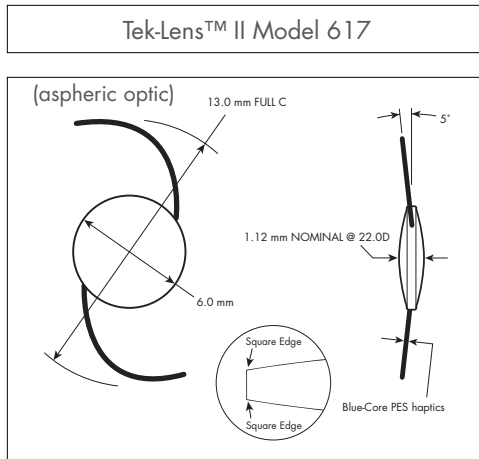
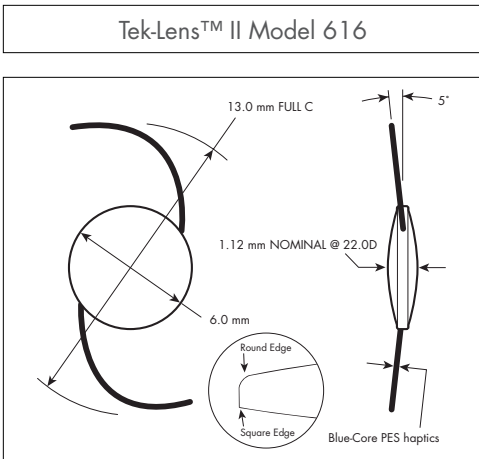


TEKIA intraocular lenses are manufactured in the United States

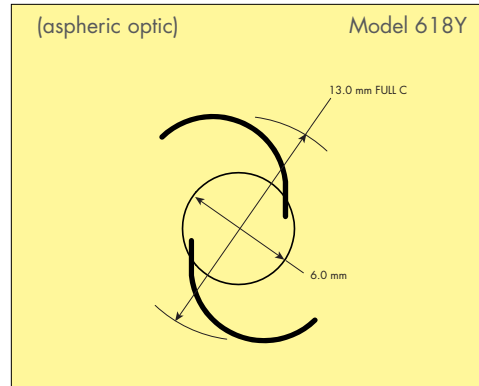
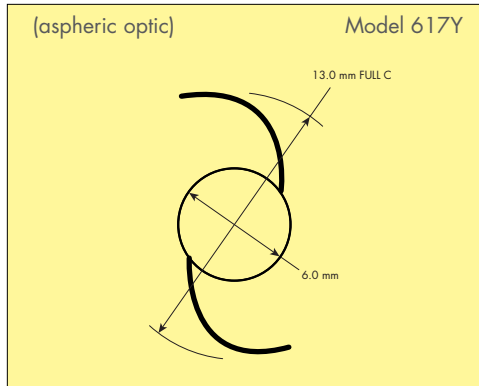
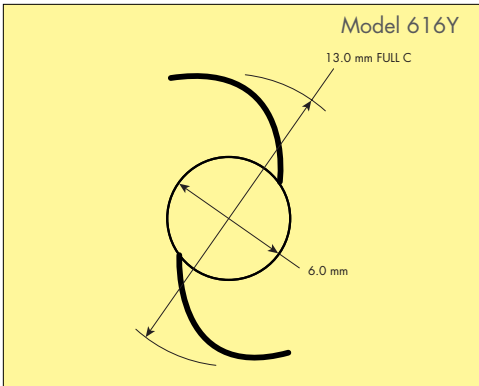
# TEKIA

### 3-PIECE HYDROPHILIC ACRYLIC IOIs

Clear



Blue Light Filter



Additional Specifications

Optical hydrophilic acrylic with UV blocker (26% water content)

Diopter range = 0.0 to 35.0

0.0 to 10.0 x 1.0 increments  
10.0 to 30.0 x 0.5 increments  
31.0 to 35.0 x 1.0 increments

Refractive Index = 1.457 @ 35°C (fully hydrated)

Light transmission > 95%

Equal biconvex design

Round-square optic edge

Incision size = 2.8 mm

Optical hydrophilic acrylic with UV blocker (26% water content)

Diopter range = 6.0 to 30.0

6.0 to 10.0 x 1.0 increments  
10.0 to 30.0 x 0.5 increments

Refractive Index = 1.457 @ 35°C (fully hydrated)

Light transmission > 95%

Equal biconvex aspheric design

Square optic edge

Incision size = 2.8 mm

Optical hydrophilic acrylic with UV blocker (26% water content)

Diopter range = 6.0 to 30.0

6.0 to 10.0 x 1.0 increments  
10.0 to 30.0 x 0.5 increments

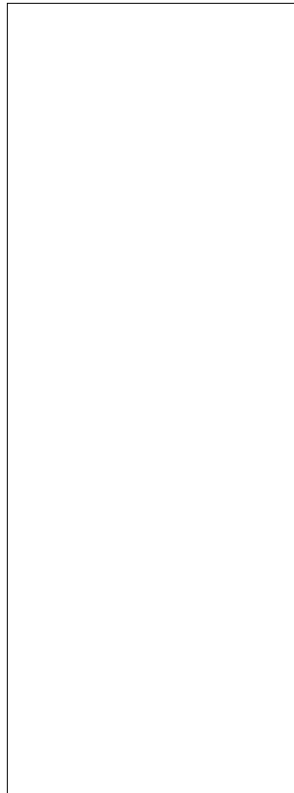
Refractive Index = 1.457 @ 35°C (fully hydrated)

Light transmission > 95%

Equal biconvex aspheric design

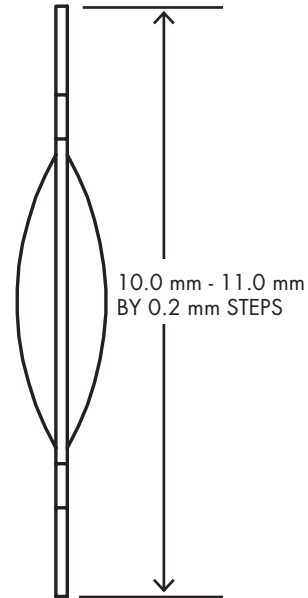
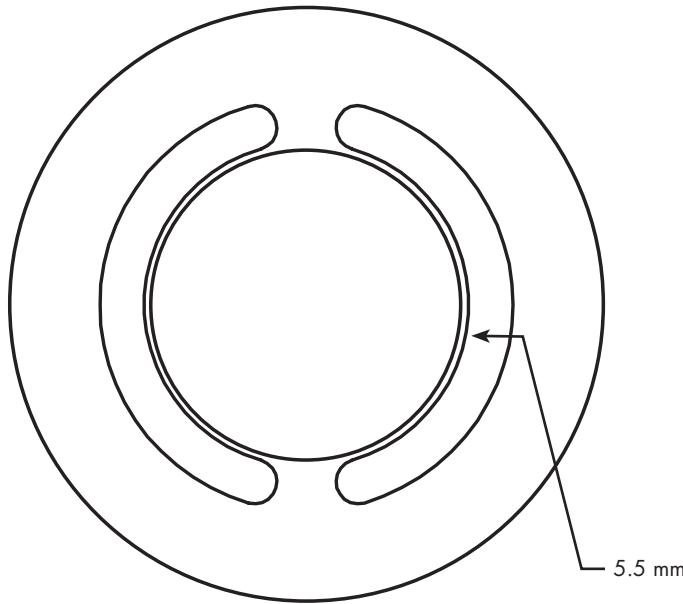
Square optic edge

Incision size = 2.8 mm



Tek-Clear™ Accommodative IOL Model 500

Clear



U.S. Patent No.: US 7,435,258 B2

Additional Specifications

Hydrophilic acrylic with UV blocker (26% water content)

Diopter range = 17.0 to 30.0 x 0.5 increments

Refractive Index = 1.457 @ 35°C (fully hydrated)

Light transmission > 95%

Full symmetrical optic design

Square edge optic and haptic

5.5 mm optic

10.0 mm to 11.0 mm full bag haptic by 0.2 mm steps

Posterior chamber/capsular bag placement

Incision size = 2.8 mm to 3.0 mm

Please see our website for any additional product specifications

CERTIFIED ISO 13485 

TEKIA intraocular lenses are manufactured in the United States

**TEKIA**







# PRODUCT GUIDE

# TEKIA

17 Hammond  
Suite 414  
Irvine, California 92618  
USA  
+1.949.699.1300 tel  
+1.949.699.1302 fax  
sales@tekia.com  
www.tekia.com

TEKIA intraocular lenses are manufactured in the United States

TEKIA intraocular lenses are not FDA approved for sale in the United States

P/N: 1226 Rev. E  
ECN#: 920

CERTIFIED  
ISO 13485