

TEKIA

PRODUCT GUIDE

Cataract & Refractive
INTRAOCULAR LENSES

TEKIA

PRODUCT GUIDE

Cataract & Refractive
INTRAOCULAR LENSES

17 Hammond
Suite 414
Irvine, California 92618
USA
+1.949.699.1300 tel
+1.949.699.1302 fax
sales@tekia.com
www.tekia.com

Visit our website for the latest product information and updates including:

TEKIA Toric iPad® Calculator
Surgeon Instructions
Optimized IOL Constants
Quality System & CE Mark Certificates
Individual Product Data Sheets
Product Brochures

www.tekia.com

TEKIA intraocular lenses are manufactured in the United States

TEKIA intraocular lenses are not FDA approved for sale in the United States

CONTENTS

FEATURED PRODUCTS

Tek-Lens™ 3 Model 900 4
Hydrophobic Acrylic IOL

Tek-Tor™ Model 820 (MICS) 5
Toric Hydrophilic IOL

1-PIECE HYDROPHILIC ACRYLIC IOLs (MICS SERIES)

Tek-Lens™ II Model 820 (MICS) 6

Tek-Tor™ Model 820 (MICS) 6

Tek-Lens™ II Model 860 (MICS) 6

1-PIECE HYDROPHILIC ACRYLIC IOLs (800 SERIES)

Tek-Lens™ II Model 830 7

Tek-Lens™ II Model 851 7

Tek-Lens™ II Model 811 8

Tek-Lens™ II Model 812 8

Tek-Lens™ II Model 870 8

Tek-Lens™ II Model 872 9

Tek-Lens™ II Model 873 9

1-PIECE HYDROPHILIC ACRYLIC IOLs (800 SERIES)

(Spherical biconvex designs)

Tek-Lens™ II Model 811S 10

Tek-Lens™ II Model 820S 10

Tek-Lens™ II Model 872S 10

3-PIECE HYDROPHILIC ACRYLIC IOLs (600 SERIES)

Tek-Lens™ II Model 611 11

Tek-Lens™ II Model 612 11

Tek-Lens™ II Model 613 11

Tek-Lens™ II Model 616 12

Tek-Lens™ II Model 617 12

Tek-Lens™ II Model 618 12

SPECIAL ORDER IOLs

Tek-Clear™ Accommodative IOL Model 500 13

TEKIA

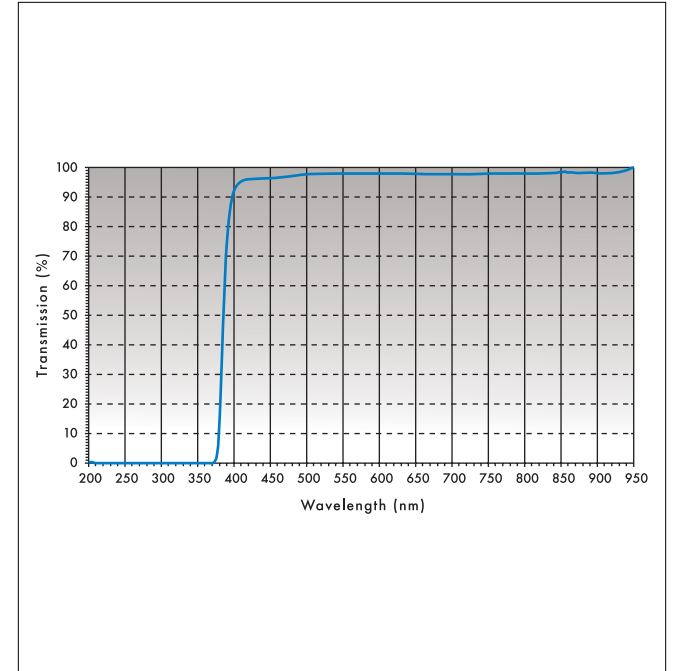
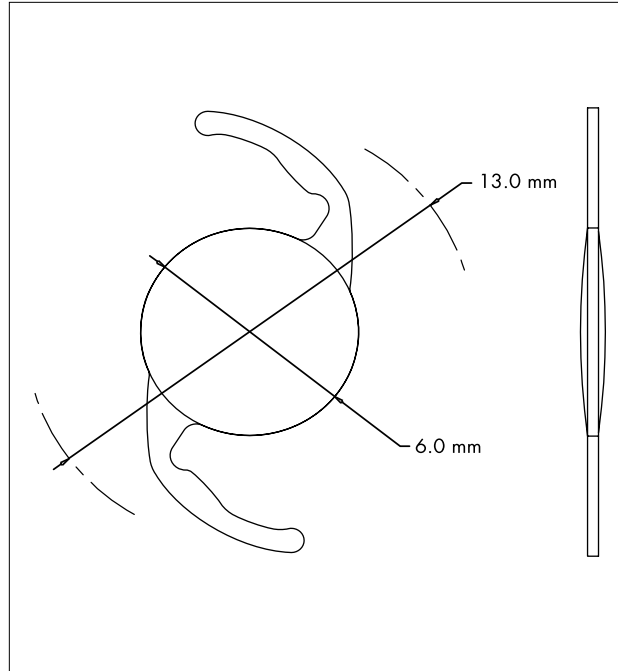


IOLO

Tek-Lens™ III Model 900

Tek-Lens[™]3

Hydrophobic Acrylic
Intraocular Lens



Additional Specifications

Optical hydrophobic acrylic with UV blocker

Diopter range: 10.0 to 30.0 @ 0.5 increments

Refractive Index: 1.555 @ 35°C

Light transmission (380 – 800 nm): > 96%

UV cut-off < 10%: 379 nm

UV transmission (300 – 380 nm): 0.5%

Biconvex aspheric design

360° square optic edge

Incision size: 2.2 mm

| | Ultrasound A-Scan | Optical Biometry |
|----------------|-------------------|------------------|
| A-Constant | | |
| SRK/T Formula | 117.8 | 118.8 |
| SRK/II Formula | 118.1 | 119.1 |

CERTIFIED
ISO 13485



TEKIA intraocular lenses are
manufactured in the
United States

TEKIA

Indications: Posterior Chamber/Cataract Surgery

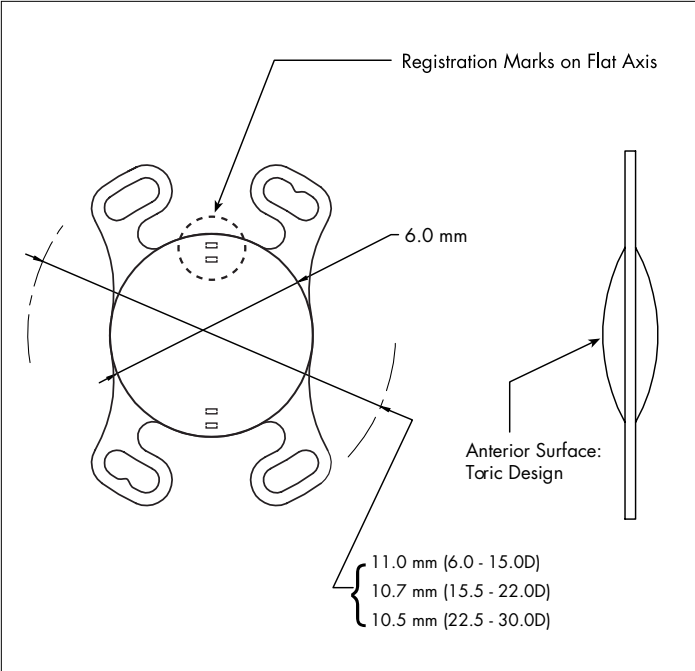
TORIC HYDROPHILIC ACRYLIC IOL MICS

Tek-Tor™ Model 820

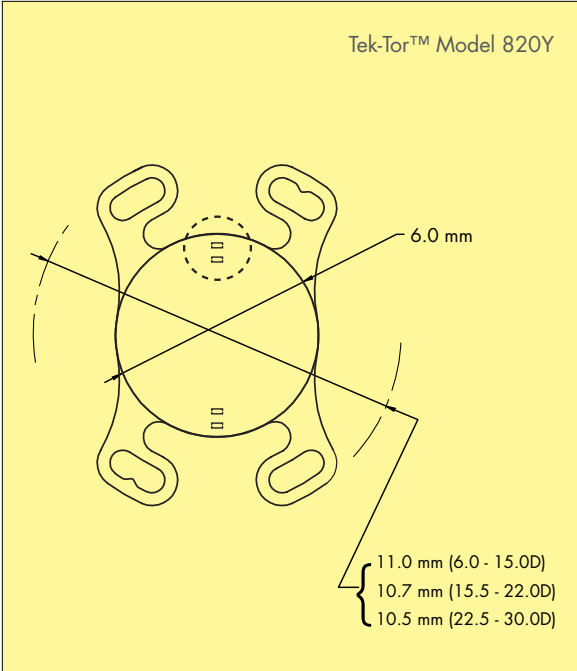
Tek-Tor™ Hydrophilic Acrylic Intraocular Lens



Clear



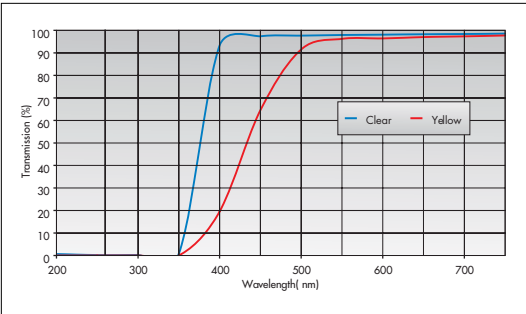
Blue Light Filter



Additional Specifications

| | |
|---|-----------------|
| Optical hydrophilic acrylic with UV blocker (26% water content) | |
| Diopter range (Sphere) = 6.0 to 30.0 | Cylinder Range: |
| 6.0 to 10.0 x 1.0 increments | A1: +1.5D |
| 10.0 to 30.0 x 0.5 increments | A2: +2.25D |
| | A3: +3.0D |
| Refractive Index = 1.457 @ 35°C (fully hydrated) | |
| Light transmission > 95% | |

| |
|--------------------------------------|
| Biconvex design: |
| - Toric anterior surface |
| - Spherical posterior surface |
| Square optic edge |
| Incision size = 1.8 mm (MICS) |

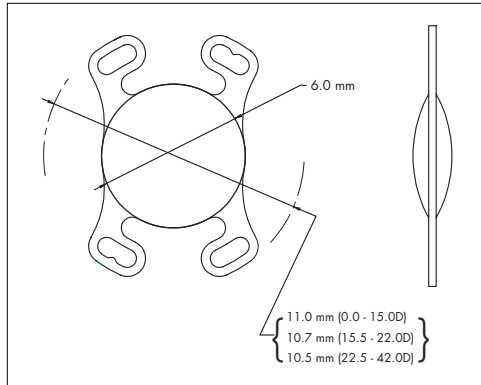


Indications: Posterior Chamber/Cataract Surgery

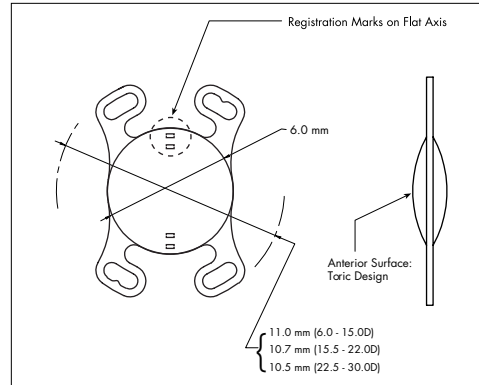
1-PIECE HYDROPHILIC ACRYLIC IOLs

Clear

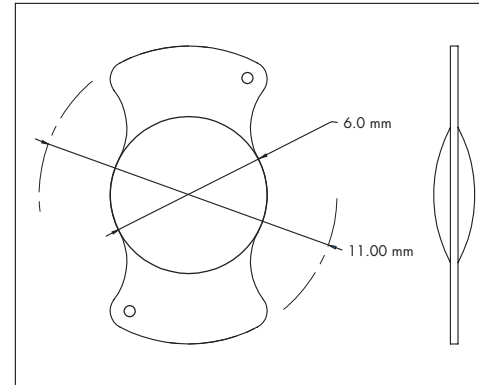
Tek-Lens™ II Model 820 (MICS)



Tek-Tor™ Model 820 (MICS)

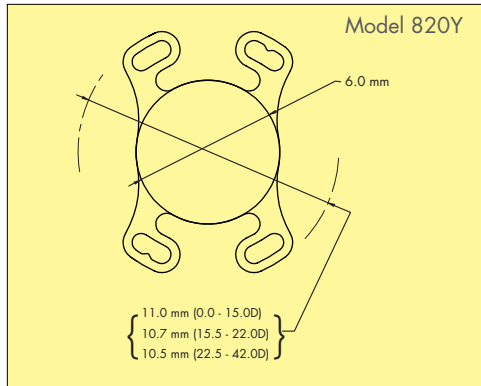


Tek-Lens™ II Model 860 (MICS)

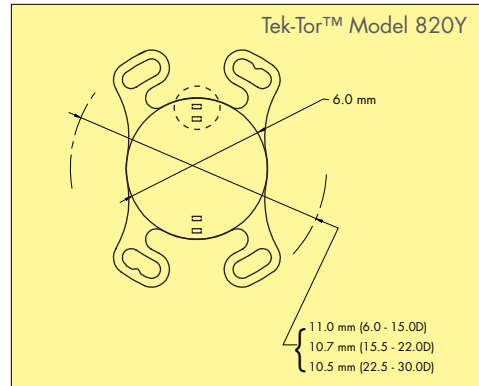


Blue Light Filter

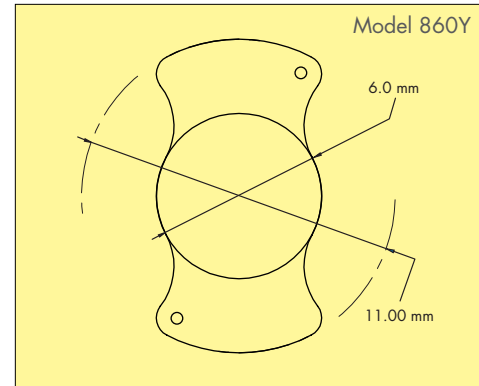
Model 820Y



Tek-Tor™ Model 820Y



Model 860Y



MICS

Additional Specifications

Optical hydrophilic acrylic with UV blocker (26% water content)

Diopter range = 0.0 to 42.0

- 0.0 to 10.0 x 1.0 increments
- 10.0 to 30.0 x 0.5 increments
- 30.0 to 42.0 x 1.0 increments

Refractive Index = 1.457 @ 35°C (fully hydrated)

Light transmission > 95%

Equal biconvex aspheric design

Square optic edge

Incision size = 1.8 mm

See Page 5
for additional specification information on the
Tek-Tor™ Model 820 (MICS)

Optical hydrophilic acrylic with UV blocker (26% water content)

Diopter range = 0.0 to 42.0

- 0.0 to 10.0 x 1.0 increments
- 10.0 to 30.0 x 0.5 increments
- 30.0 to 42.0 x 1.0 increments

Refractive Index = 1.457 @ 35°C (fully hydrated)

Light transmission > 95%

Equal biconvex aspheric design

Square optic edge

Incision size = 1.8 mm

ALL Single Piece IOLs are
aspheric optic design

CERTIFIED
ISO 13485

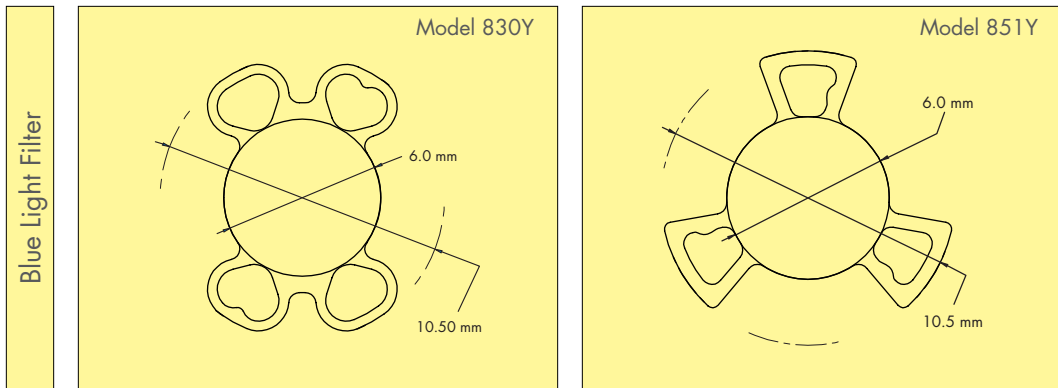
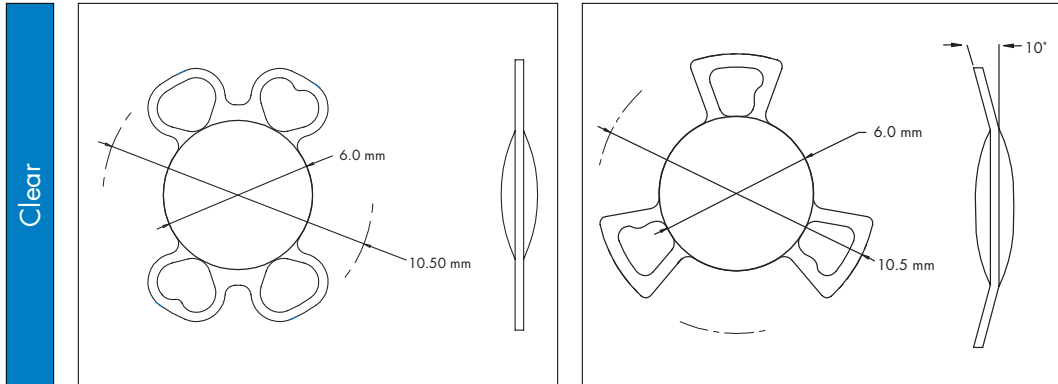


TEKIA intraocular lenses are
manufactured in the United States

TEKIA

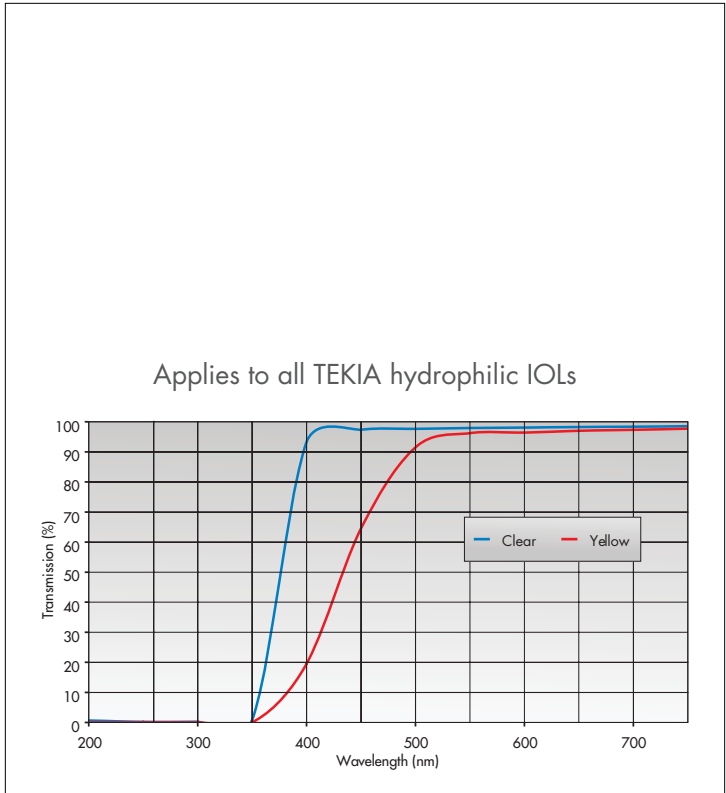
Indications: Posterior Chamber/Cataract Surgery

1-PIECE HYDROPHILIC ACRYLIC IOLs



Additional Specifications

| | |
|--|--|
| Optical hydrophilic acrylic with UV blocker (26% water content) | Optical hydrophilic acrylic with UV blocker (26% water content) |
| Diopter range = 0.0 to 42.0 | Diopter range = 0.0 to 42.0 |
| 0.0 to 10.0 x 1.0 increments 10.0 to 30.0 x 0.5 increments 30.0 to 42.0 x 1.0 increments | 0.0 to 10.0 x 1.0 increments 10.0 to 30.0 x 0.5 increments 30.0 to 42.0 x 1.0 increments |
| Refractive Index = 1.457 @ 35°C (fully hydrated) | Refractive Index = 1.457 @ 35°C (fully hydrated) |
| Light transmission > 95% | Light transmission > 95% |
| Equal biconvex aspheric design | Equal biconvex aspheric design |
| Square optic edge | Square optic edge |
| Incision size = 2.4 mm | Incision size = 2.4 mm |



ALL Single Piece IOLs are aspheric optic design



TEKIA intraocular lenses are manufactured in the United States

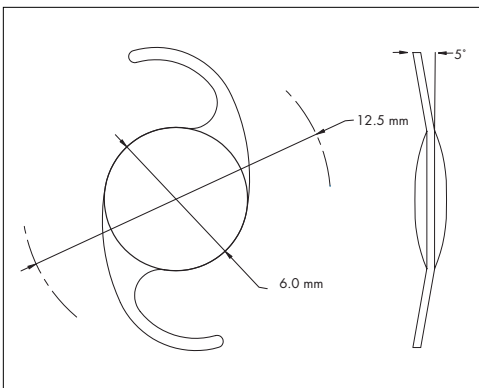
TEKIA

Indications: Posterior Chamber/Cataract Surgery

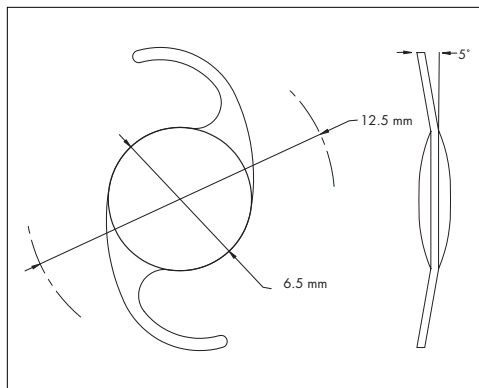
1-PIECE HYDROPHILIC ACRYLIC IOIs

Clear

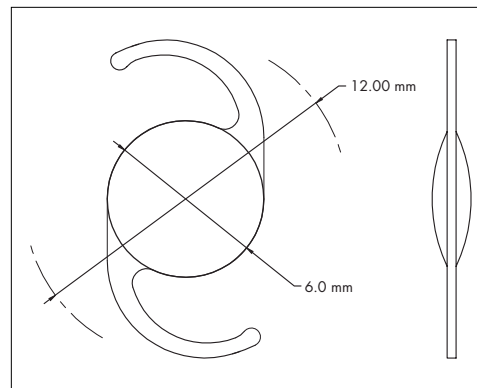
Tek-Lens™ II Model 811



Tek-Lens™ II Model 812

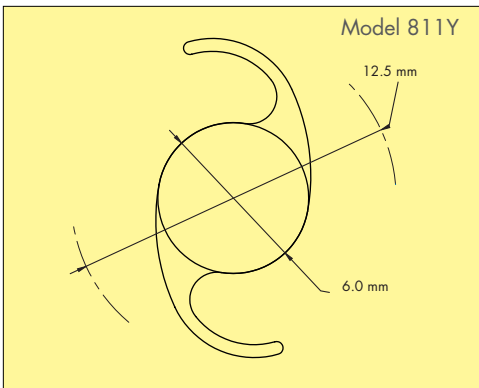


Tek-Lens™ II Model 870

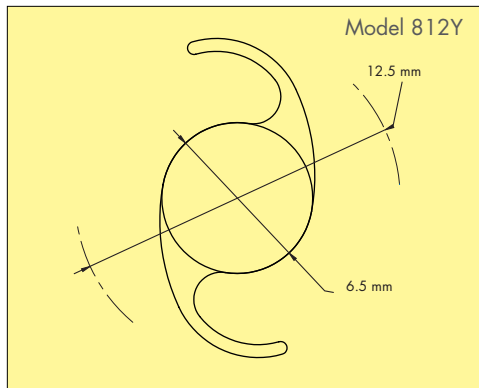


Blue Light Filter

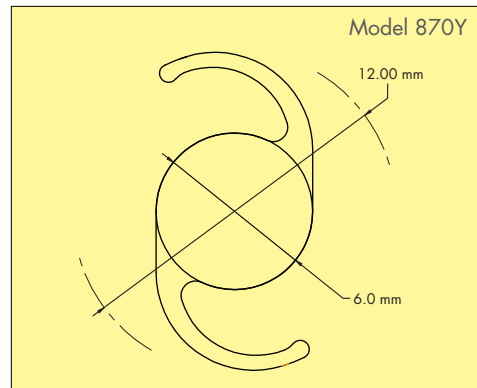
Model 811Y



Model 812Y



Model 870Y



Additional Specifications

Optical hydrophilic acrylic with UV blocker (26% water content)

Diopter range = 0.0 to 42.0

- 0.0 to 10.0 x 1.0 increments
- 10.0 to 30.0 x 0.5 increments
- 30.0 to 42.0 x 1.0 increments

Refractive Index = 1.457 @ 35°C (fully hydrated)

Light transmission > 95%

Equal biconvex aspheric design

Square optic edge

Incision size = 2.4 mm

Optical hydrophilic acrylic with UV blocker (26% water content)

Diopter range = 0.0 to 42.0

- 0.0 to 10.0 x 1.0 increments
- 10.0 to 30.0 x 0.5 increments
- 30.0 to 42.0 x 1.0 increments

Refractive Index = 1.457 @ 35°C (fully hydrated)

Light transmission > 95%

Equal biconvex aspheric design

Square optic edge

Incision size = 2.4 mm

Optical hydrophilic acrylic with UV blocker (26% water content)

Diopter range = 0.0 to 42.0

- 0.0 to 10.0 x 1.0 increments
- 10.0 to 30.0 x 0.5 increments
- 30.0 to 42.0 x 1.0 increments

Refractive Index = 1.457 @ 35°C (fully hydrated)

Light transmission > 95%

Equal biconvex aspheric design

Square optic edge

Incision size = 2.4 mm

ALL Single Piece IOIs are aspheric optic design



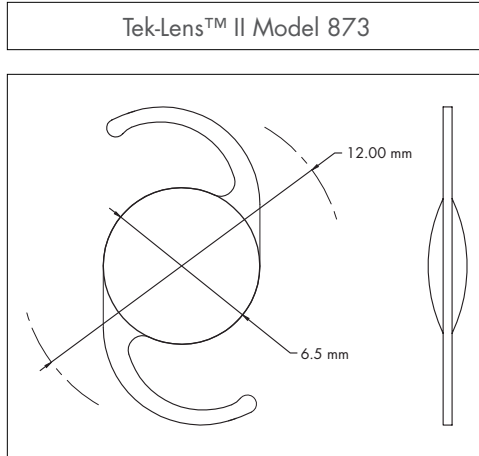
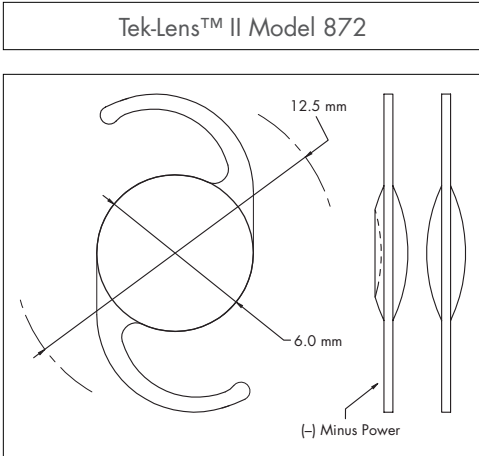
TEKIA intraocular lenses are manufactured in the United States

TEKIA

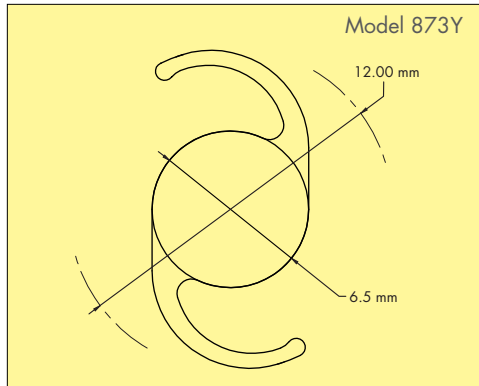
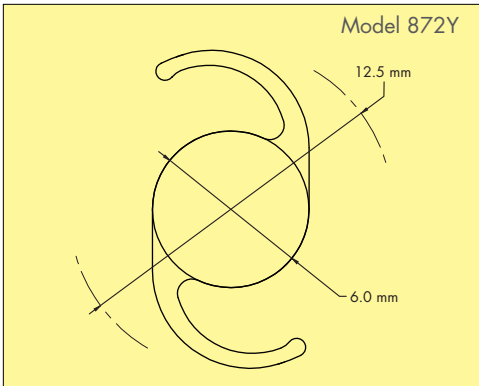
Indications: Posterior Chamber/Cataract Surgery

1-PIECE HYDROPHILIC ACRYLIC IOLs

Clear



Blue Light Filter



Additional Specifications

Optical hydrophilic acrylic with UV blocker (26% water content)

Diopter range = (−) Minus 10.0 to 42.0

- −10.0 to 10.0 x 1.0 increments
- 10.0 to 30.0 x 0.5 increments
- 30.0 to 42.0 x 1.0 increments

Refractive Index = 1.457 @ 35°C (fully hydrated)

Light transmission > 95%

Equal biconvex aspheric design

Square optic edge

Incision size = 2.4 mm

Optical hydrophilic acrylic with UV blocker (26% water content)

Diopter range = 0.0 to 42.0

- 0.0 to 10.0 x 1.0 increments
- 10.0 to 30.0 x 0.5 increments
- 30.0 to 42.0 x 1.0 increments

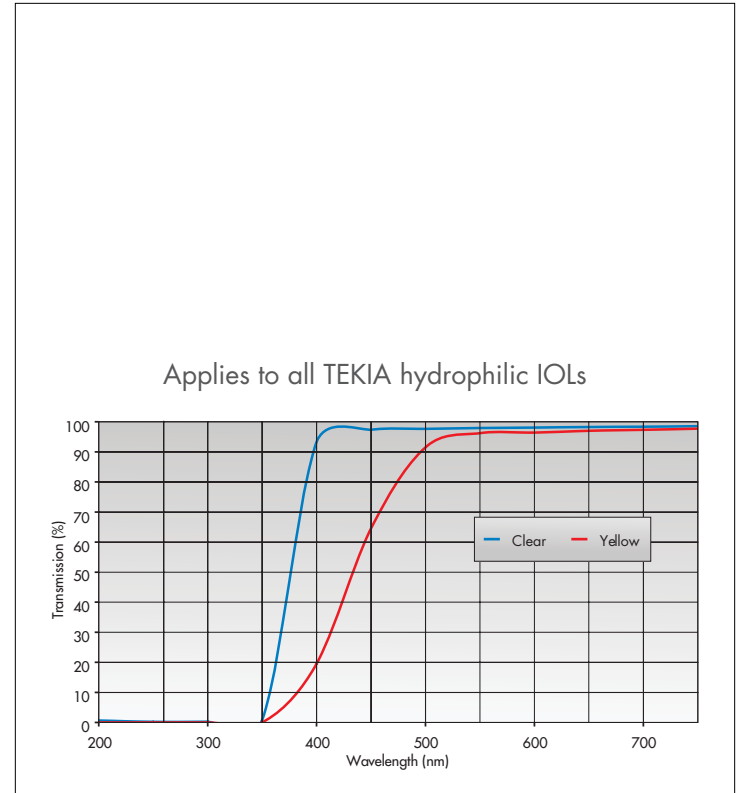
Refractive Index = 1.457 @ 35°C (fully hydrated)

Light transmission > 95%

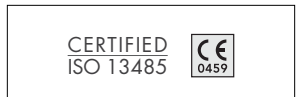
Equal biconvex aspheric design

Square optic edge

Incision size = 2.4 mm



ALL Single Piece IOLs are aspheric optic design



TEKIA intraocular lenses are manufactured in the United States

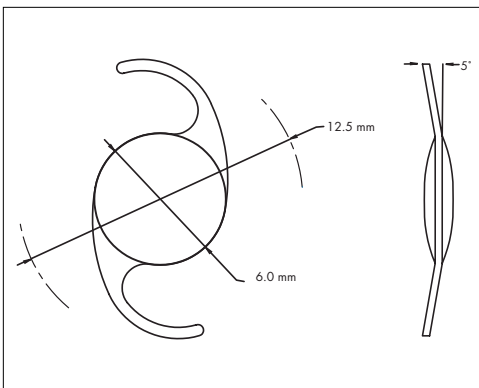
TEKIA

Clear

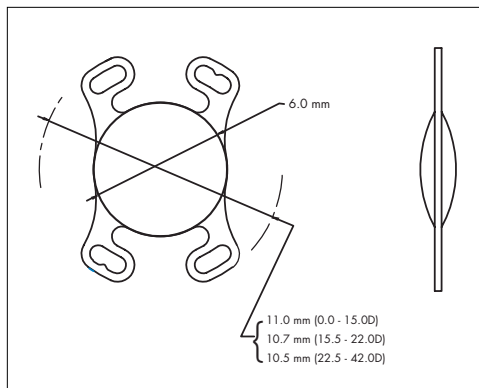
Blue Light Filter

Additional Specifications

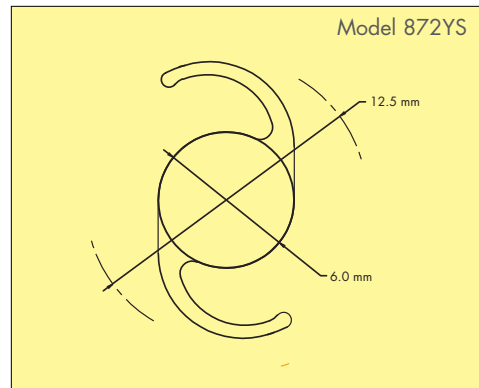
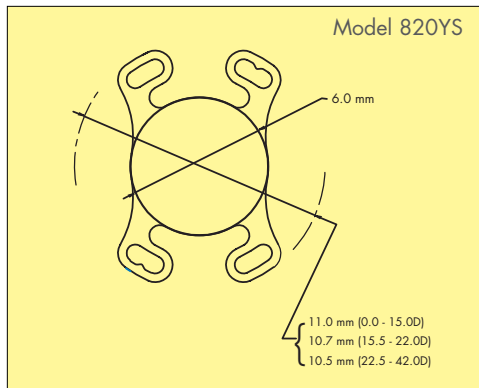
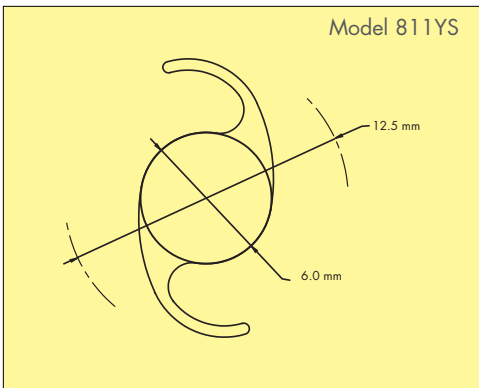
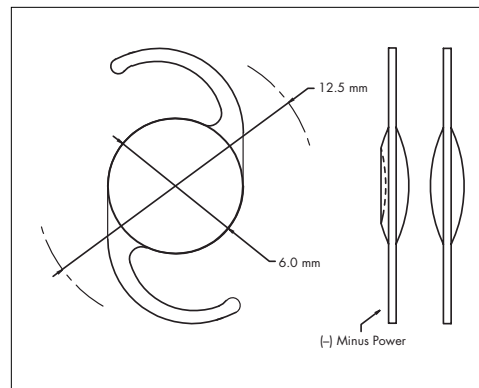
Tek-Lens™ II Model 811S



Tek-Lens™ II Model 820S



Tek-Lens™ II Model 872S



Optical hydrophilic acrylic with UV blocker (26% water content)

Diopter range = 0.0 to 42.0

0.0 to 10.0 x 1.0 increments
 10.0 to 30.0 x 0.5 increments
 30.0 to 42.0 x 1.0 increments

Refractive Index = 1.457 @ 35°C (fully hydrated)

Light transmission > 95%

Spherical biconvex design

Square optic edge

Incision size = 2.4 mm

Optical hydrophilic acrylic with UV blocker (26% water content)

Diopter range = 0.0 to 42.0

0.0 to 10.0 x 1.0 increments
 10.0 to 30.0 x 0.5 increments
 30.0 to 42.0 x 1.0 increments

Refractive Index = 1.457 @ 35°C (fully hydrated)

Light transmission > 95%

Spherical biconvex design

Square optic edge

Incision size = 1.8 mm

Optical hydrophilic acrylic with UV blocker (26% water content)

Diopter range = 0.0 to 42.0

0.0 to 10.0 x 1.0 increments
 10.0 to 30.0 x 0.5 increments
 30.0 to 42.0 x 1.0 increments

Refractive Index = 1.457 @ 35°C (fully hydrated)

Light transmission > 95%

Spherical biconvex design

Square optic edge

Incision size = 2.4 mm

Spherical biconvex design

Spherical biconvex optic design



TEKIA intraocular lenses are manufactured in the United States

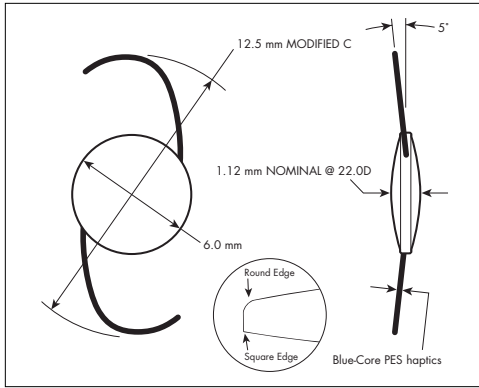
TEKIA

Indications: Posterior Chamber/Cataract Surgery

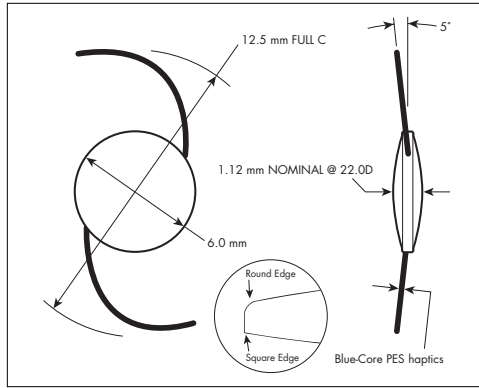
3-PIECE HYDROPHILIC ACRYLIC IOIs

Clear

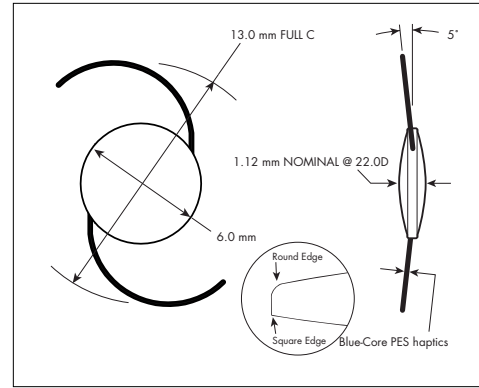
Tek-Lens™ II Model 611



Tek-Lens™ II Model 612

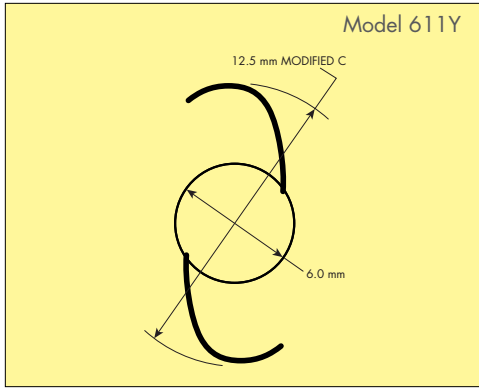


Tek-Lens™ II Model 613

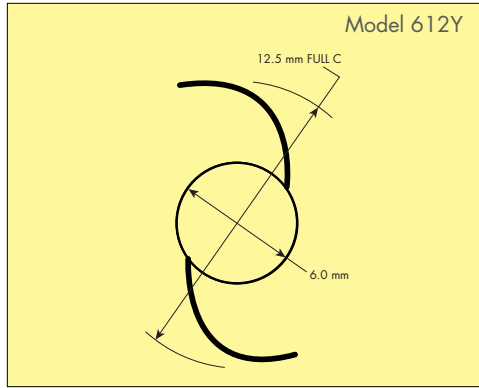


Blue Light Filter

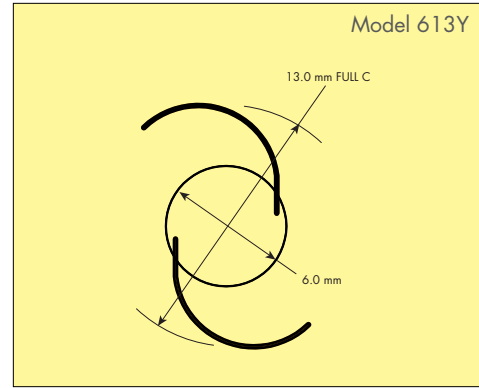
Model 611Y



Model 612Y



Model 613Y



Additional Specifications

Optical hydrophilic acrylic with UV blocker (26% water content)

Diopter range = 0.0 to 35.0

- 0.0 to 10.0 x 1.0 increments
- 10.0 to 30.0 x 0.5 increments
- 31.0 to 35.0 x 1.0 increments

Refractive Index = 1.457 @ 35°C (fully hydrated)

Light transmission > 95%

Equal biconvex design

Round-square optic edge

Incision size = 2.8 mm

Optical hydrophilic acrylic with UV blocker (26% water content)

Diopter range = 0.0 to 35.0

- 0.0 to 10.0 x 1.0 increments
- 10.0 to 30.0 x 0.5 increments
- 31.0 to 35.0 x 1.0 increments

Refractive Index = 1.457 @ 35°C (fully hydrated)

Light transmission > 95%

Equal biconvex design

Round-square optic edge

Incision size = 2.8 mm

Optical hydrophilic acrylic with UV blocker (26% water content)

Diopter range = 0.0 to 35.0

- 0.0 to 10.0 x 1.0 increments
- 10.0 to 30.0 x 0.5 increments
- 31.0 to 35.0 x 1.0 increments

Refractive Index = 1.457 @ 35°C (fully hydrated)

Light transmission > 95%

Equal biconvex design

Round-square optic edge

Incision size = 2.8 mm

CERTIFIED ISO 13485

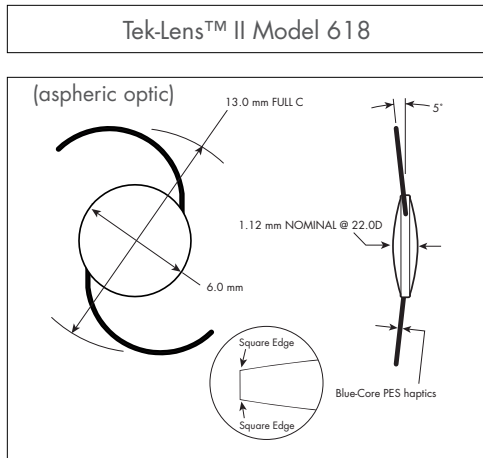
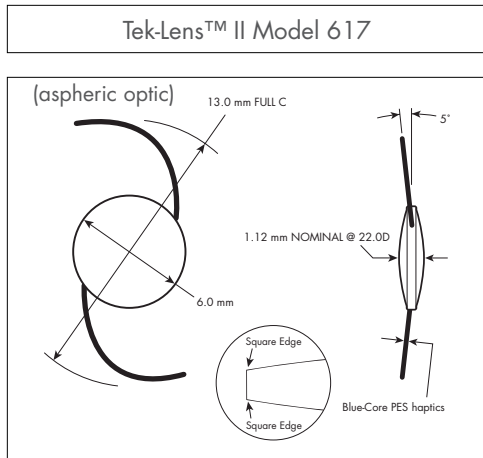
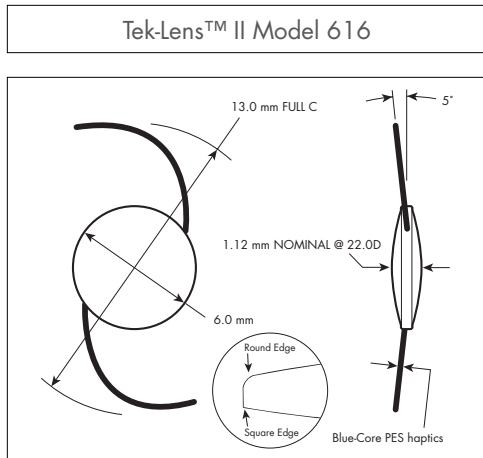


TEKIA intraocular lenses are manufactured in the United States

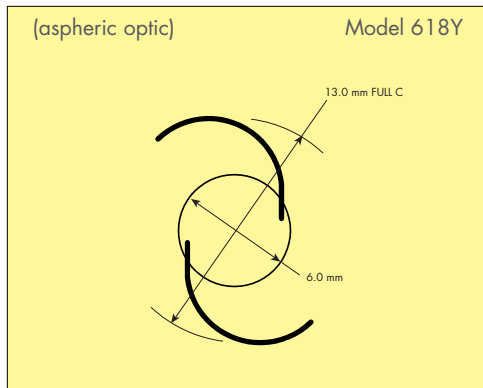
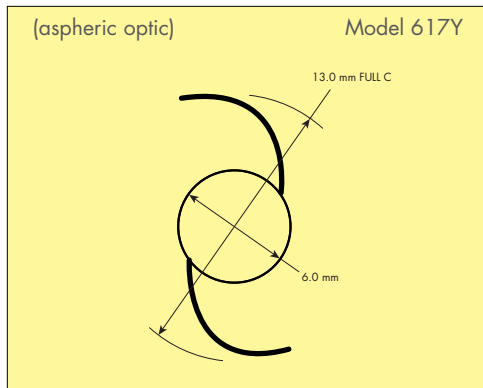
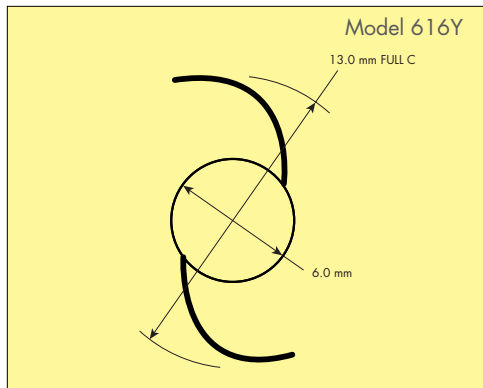
TEKIA

3-PIECE HYDROPHILIC ACRYLIC IOLs

Clear



Blue Light Filter



Additional Specifications

Optical hydrophilic acrylic with UV blocker (26% water content)

Diopter range = 0.0 to 35.0

- 0.0 to 10.0 x 1.0 increments
- 10.0 to 30.0 x 0.5 increments
- 31.0 to 35.0 x 1.0 increments

Refractive Index = 1.457 @ 35°C (fully hydrated)

Light transmission > 95%

Equal biconvex design

Round-square optic edge

Incision size = 2.8 mm

Optical hydrophilic acrylic with UV blocker (26% water content)

Diopter range = 6.0 to 30.0

- 6.0 to 10.0 x 1.0 increments
- 10.0 to 30.0 x 0.5 increments

Refractive Index = 1.457 @ 35°C (fully hydrated)

Light transmission > 95%

Equal biconvex aspheric design

Square optic edge

Incision size = 2.8 mm

Optical hydrophilic acrylic with UV blocker (26% water content)

Diopter range = 6.0 to 30.0

- 6.0 to 10.0 x 1.0 increments
- 10.0 to 30.0 x 0.5 increments

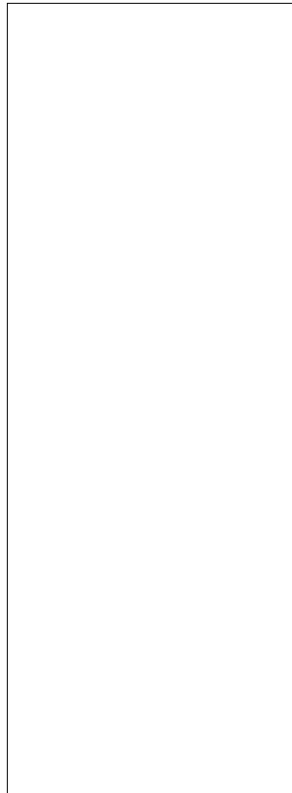
Refractive Index = 1.457 @ 35°C (fully hydrated)

Light transmission > 95%

Equal biconvex aspheric design

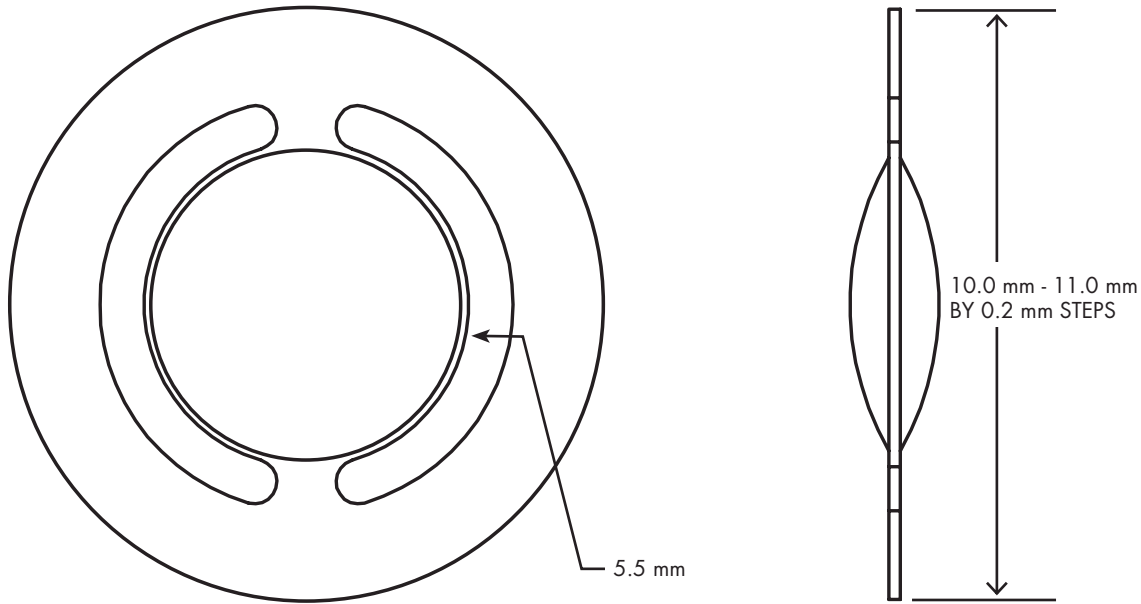
Square optic edge

Incision size = 2.8 mm



Tek-Clear™ Accommodative IOL Model 500

Clear



U.S. Patent No.: US 7,435,258 B2

Additional Specifications

Hydrophilic acrylic with UV blocker (26% water content)

Diopter range = 17.0 to 30.0 x 0.5 increments

Refractive Index = 1.457 @ 35°C (fully hydrated)

Light transmission > 95%

Full symmetrical optic design

Square edge optic and haptic

5.5 mm optic

10.0 mm to 11.0 mm full bag haptic by 0.2 mm steps

Posterior chamber/capsular bag placement

Incision size = 2.8 mm to 3.0 mm

Please see our website for any additional product specifications

CERTIFIED ISO 13485 

TEKIA intraocular lenses are manufactured in the United States

TEKIA

PRODUCT GUIDE

TEKIA

17 Hammond
Suite 414
Irvine, California 92618
USA
+1.949.699.1300 tel
+1.949.699.1302 fax
sales@tekia.com
www.tekia.com

TEKIA intraocular lenses are manufactured in the United States

TEKIA intraocular lenses are not FDA approved for sale in the United States

P/N: 1226 Rev. D
ECN#: 875

CERTIFIED
ISO 13485